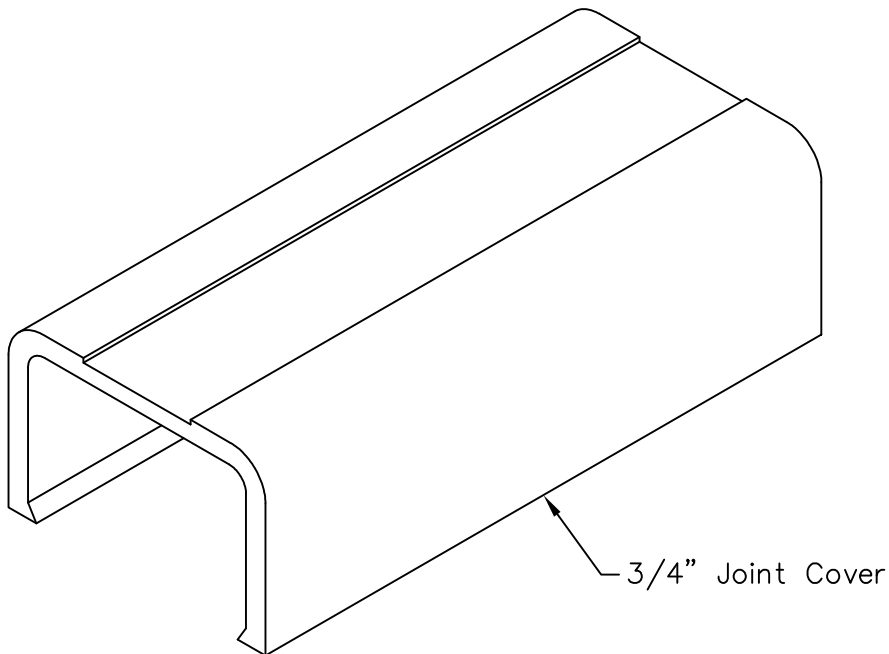


# 3/4" Joint Cover

## PRODUCT SPECIFICATION

### Package includes:

A. 3/4" Joint Cover, 1 pc



### Features and Benefits:

- Designed to attach two raceway sections.
- Accommodates ICRW22R, ICRWR118, and ICRWR11S 3/4"W x 1/2"H raceway sections.
- Available in ivory and white.

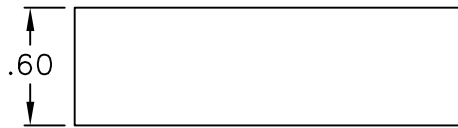
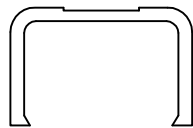
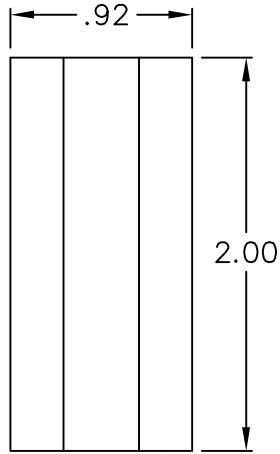
### JOINT COVER, 3/4"

|          |            |
|----------|------------|
| ITEM NO. | ICRW22JCXX |
| DWG NO.  | PSRW22JC00 |

|          |   |
|----------|---|
| REV.     | A |
| PAGE NO. | 1 |



CUSTOMER CARE / TECHNICAL SUPPORT \* CSR@ICC.COM / 888-ASK-4-ICC (275-4422) \* 2100 E. Valencia Dr, Suite D, Fullerton, CA 92831 \* www.icc.com



**NOTE: UNLESS OTHERWISE SPECIFIED**

- 1. MATERIAL: HIGH IMPACT STYRENE
- 2. COLOR: XX: IV-IVORY & WH-WHITE

**JOINT COVER, 3/4"**

ITEM NO. ICRW22JCXX  
 DWG NO. PSRW22JC00

REV. A  
 PAGE NO. 2



CUSTOMER CARE / TECHNICAL SUPPORT \* CSR@ICC.COM / 888-ASK-4-ICC (275-4422) \* 2100 E. Valencia Dr, Suite D, Fullerton, CA 92831 \* www.icc.com