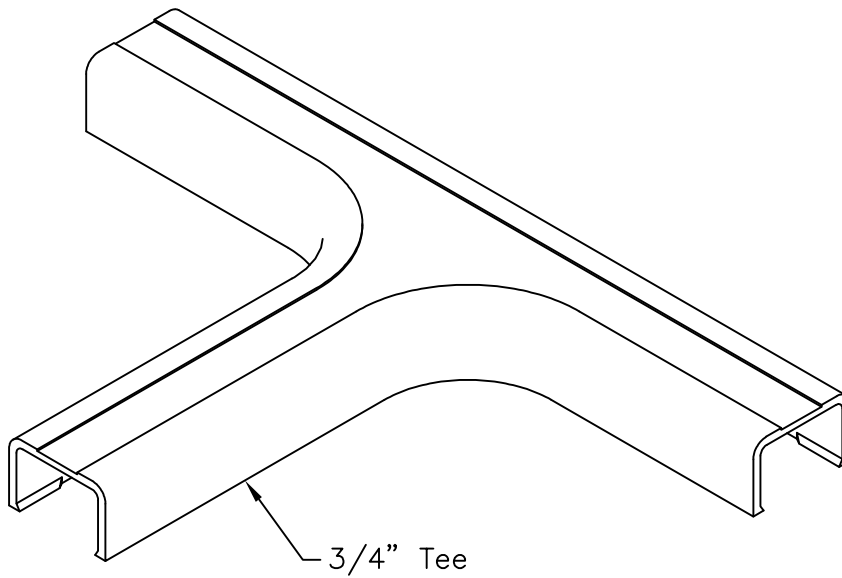


3/4" Tee

PRODUCT SPECIFICATION


Package includes:

A. 3/4" Tee, 1 pc

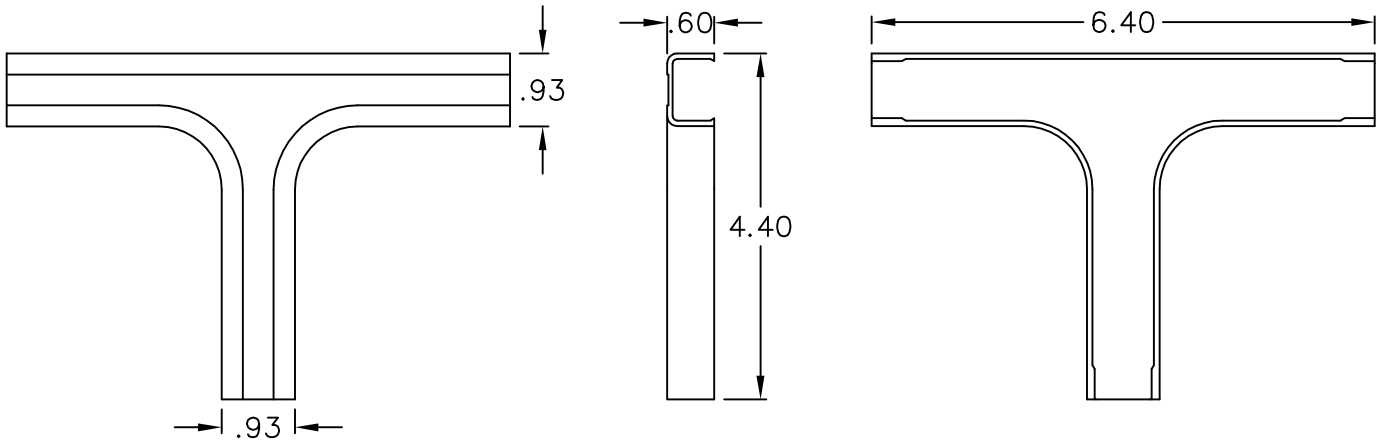


Features and Benefits:

- Designed to attach three raceway sections while maintaining bend radius.
- Accommodates ICRW22R, ICRWR118, and ICRWR11S 3/4"W x 1/2"H raceway sections.
- Available in ivory and white.


TEE, 3/4"			 <i>Premium Products</i> <i>Proven Performance</i> <i>Competitive Prices</i>	
ITEM NO.	ICRW22TEXX	REV.		A
DWG NO.	PSRW22TE00	PAGE NO.		1

CUSTOMER CARE / TECHNICAL SUPPORT * CSR@ICC.COM / 888-ASK-4-ICC (275-4422) * 2100 E. Valencia Dr, Suite D, Fullerton, CA 92831 * www.icc.com



NOTE: UNLESS OTHERWISE SPECIFIED

1. MATERIAL: HIGH IMPACT STYRENE
2. COLOR: XX: IV-IVORY & WH-WHITE

TEE, 3/4"		 <i>PremiumProducts</i> <i>ProvenPerformance</i> <i>CompetitivePrices</i>	
ITEM NO.	ICRW22TEXX		REV. A
DWG NO.	PSRW22TE00		PAGE NO. 2

CUSTOMER CARE / TECHNICAL SUPPORT * CSR@ICC.COM / 888-ASK-4-ICC (275-4422) * 2100 E. Valencia Dr, Suite D, Fullerton, CA 92831 * www.icc.com