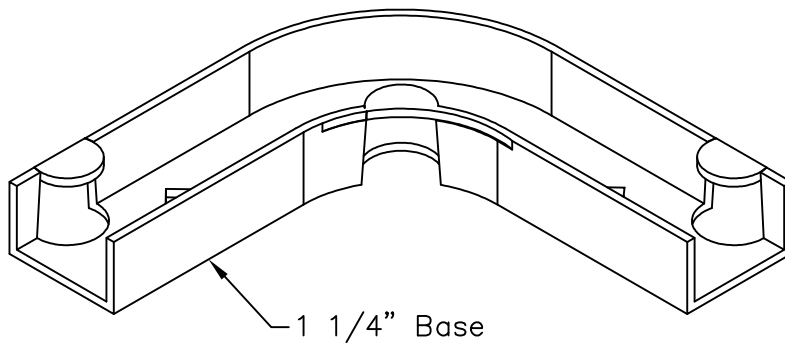
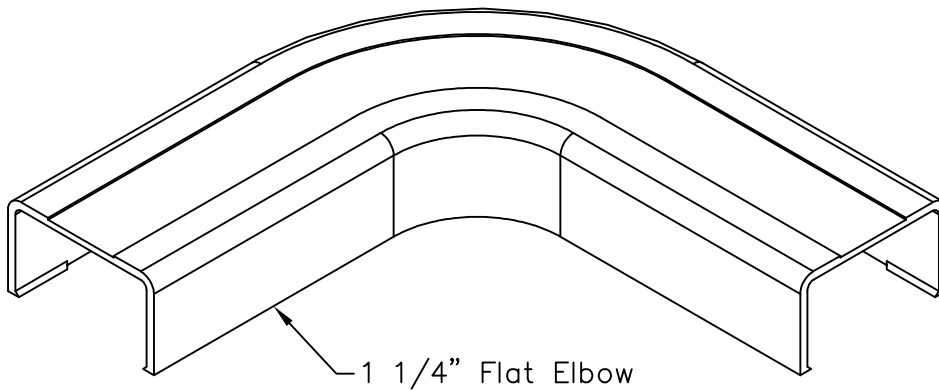


1 1/4" 90° Flat Elbow & Base

PRODUCT SPECIFICATION


Package includes:

- A. 1 1/4" Flat Elbow, 1 pc
- B. 1 1/4" Base, 1 pc

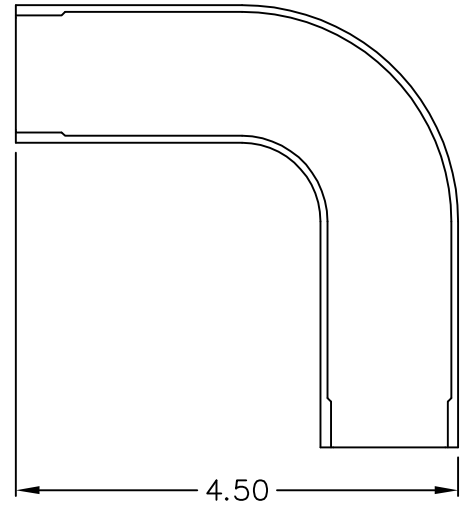
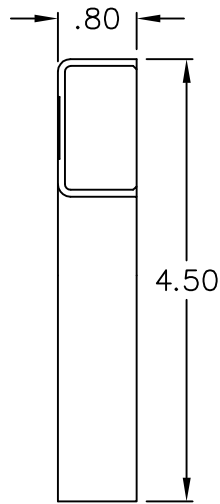
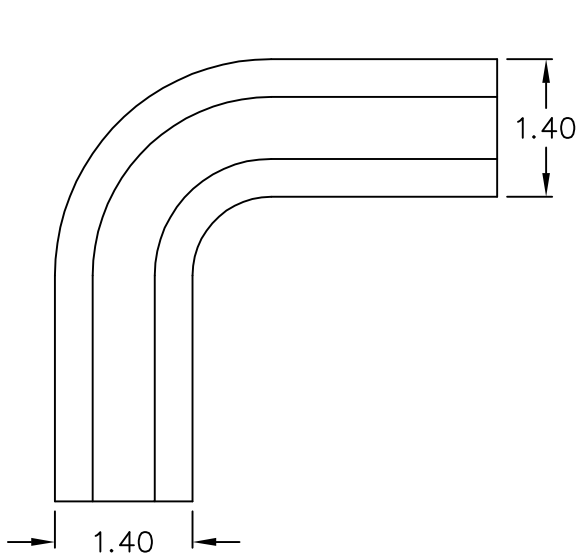


Features and Benefits:

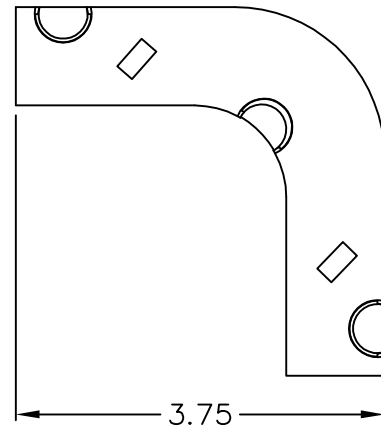
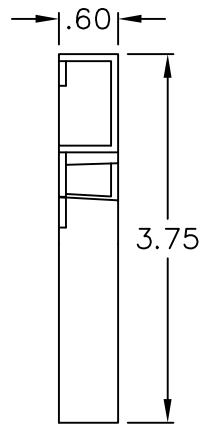
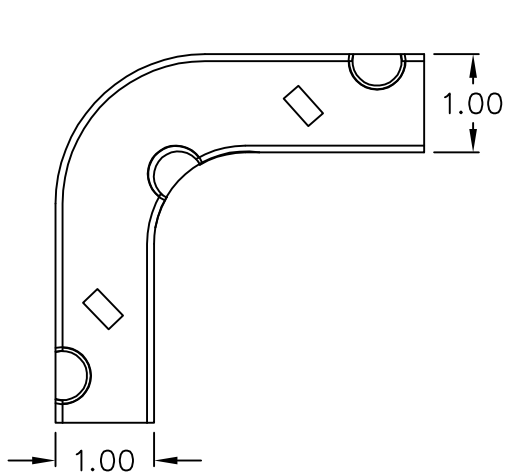
- Designed to allow left and right turns on raceway sections.
- Accommodates ICRW33R, ICRWR12S, and ICRW128 1 1/4"W x 3/4"H raceway sections.
- Available in ivory and white.

FLAT ELBOW & BASE, 1 1/4"		 <i>PremiumProducts</i> <i>ProvenPerformance</i> <i>CompetitivePrices</i>	
ITEM NO.	ICRW33EBXX		REV. A
DWG NO.	PSRW33EB00		PAGE NO. 1

CUSTOMER CARE / TECHNICAL SUPPORT * CSR@ICC.COM / 888-ASK-4-ICC (275-4422) * 2100 E. Valencia Dr, Suite D, Fullerton, CA 92831 * www.icc.com



1 1/4" FLAT ELBOW



1 1/4" BASE

NOTE: UNLESS OTHERWISE SPECIFIED

1. MATERIAL:

A. FLAT ELBOW: HIGH IMPACT STYRENE

B. BASE: HIGH IMPACT STYRENE

2. COLOR: XX: IV-IVORY & WH-WHITE

FLAT ELBOW & BASE, 1 1/4"

ITEM NO. ICRW33EBXX

REV. A

DWG NO. PSRW33EB00

PAGE NO. 2



CUSTOMER CARE / TECHNICAL SUPPORT * CSR@ICC.COM / 888-ASK-4-ICC (275-4422) * 2100 E. Valencia Dr, Suite D, Fullerton, CA 92831 * www.icc.com