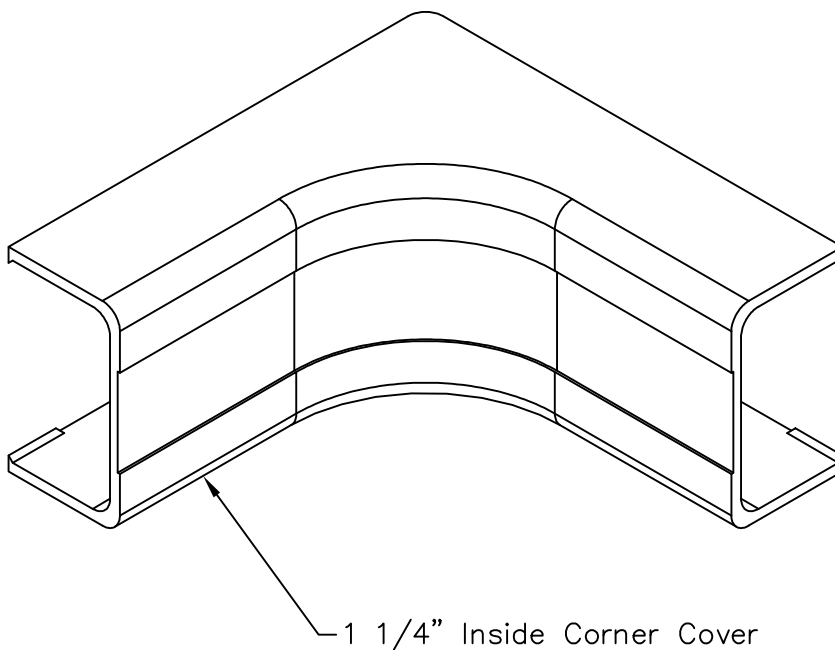


1 1/4" Inside Corner Cover

PRODUCT SPECIFICATION


Package includes:

A. 1 1/4" Inside Corner Cover, 1 pc

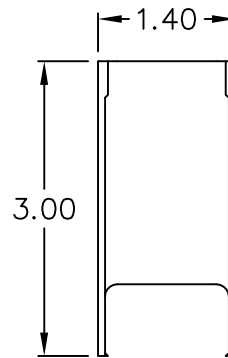
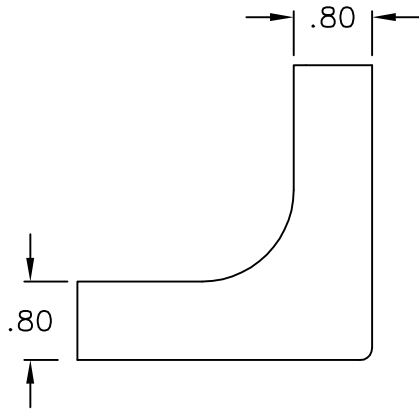
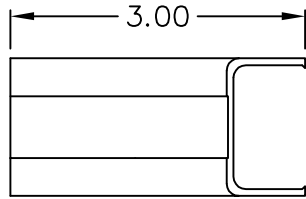


Features and Benefits:

- Designed to maintain cable bend radius.
- Accommodates ICRW33R, ICRWR12S, and ICRWR128 1 1/4"W x 3/4"H raceway sections.
- Available in ivory and white.

INSIDE CORNER COVER, 1 1/4"		 <i>PremiumProducts</i> <i>ProvenPerformance</i> <i>CompetitivePrices</i>	
ITEM NO.	ICRW33NCXX		REV. A
DWG NO.	PSRW33NC00		PAGE NO. 1

CUSTOMER CARE / TECHNICAL SUPPORT * CSR@ICC.COM / 888-ASK-4-ICC (275-4422) * 2100 E. Valencia Dr, Suite D, Fullerton, CA 92831 * www.icc.com



NOTE: UNLESS OTHERWISE SPECIFIED

1. MATERIAL: HIGH IMPACT STYRENE
2. COLOR: XX: IV-IVORY & WH-WHITE

INSIDE CORNER COVER, 1 1/4"

ITEM NO.	ICRW33NCXX
DWG NO.	PSRW33NC00

REV.	A
PAGE NO.	2



CUSTOMER CARE / TECHNICAL SUPPORT * CSR@ICC.COM / 888-ASK-4-ICC (275-4422) * 2100 E. Valencia Dr, Suite D, Fullerton, CA 92831 * www.icc.com