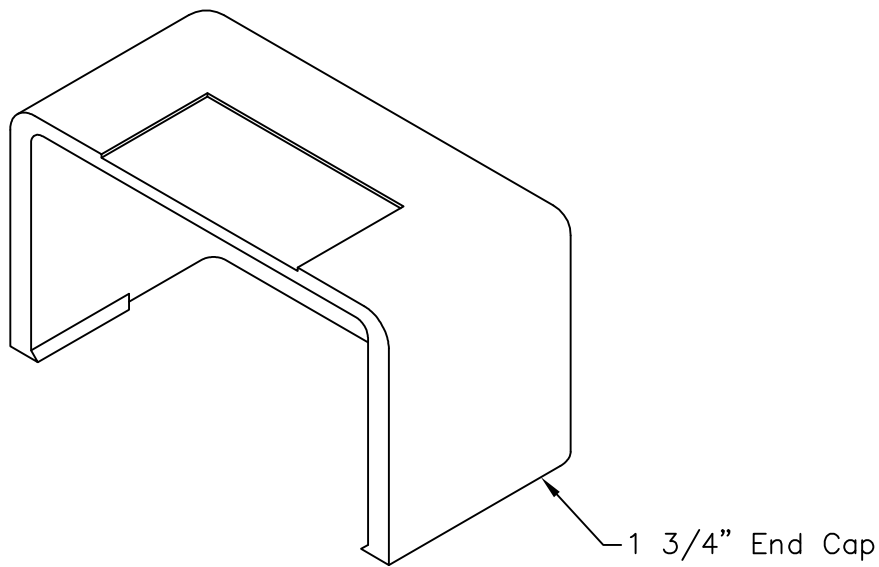


1 3/4" End Cap

PRODUCT SPECIFICATION

Package includes:

A. 1 3/4" End Cap, 1 pc



Features and Benefits:

- Designed to protect raceway ends.
- Accommodates ICRWR13S, ICRW44R, and ICRWR138 1 3/4"W x 1"H raceway sections.
- Available in ivory and white.

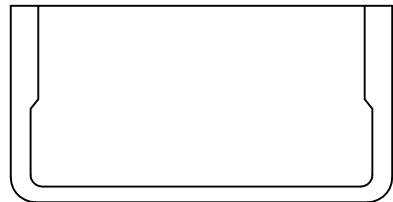
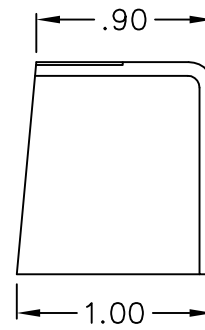
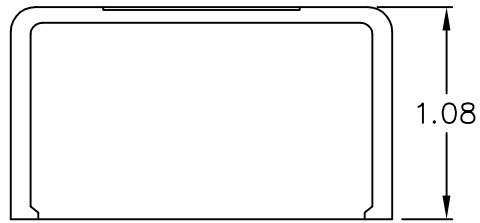
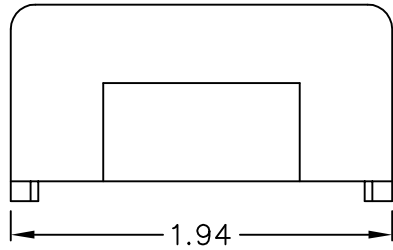
END CAP, 1 3/4"

| | |
|----------|------------|
| ITEM NO. | ICRW44ECXX |
| DWG NO. | PSRW44EC00 |

| | |
|----------|---|
| REV. | A |
| PAGE NO. | 1 |



CUSTOMER CARE / TECHNICAL SUPPORT * CSR@ICC.COM / 888-ASK-4-ICC (275-4422) * 2100 E. Valencia Dr, Suite D, Fullerton, CA 92831 * www.icc.com



NOTE: UNLESS OTHERWISE SPECIFIED

- 1. MATERIAL: HIGH IMPACT STYRENE
- 2. COLOR: XX: IV-IVORY & WH-WHITE

END CAP, 1 3/4"

ITEM NO. ICRW44ECXX
 DWG NO. PSRW44EC00

REV. A
 PAGE NO. 2



CUSTOMER CARE / TECHNICAL SUPPORT * CSR@ICC.COM / 888-ASK-4-ICC (275-4422) * 2100 E. Valencia Dr, Suite D, Fullerton, CA 92831 * www.icc.com