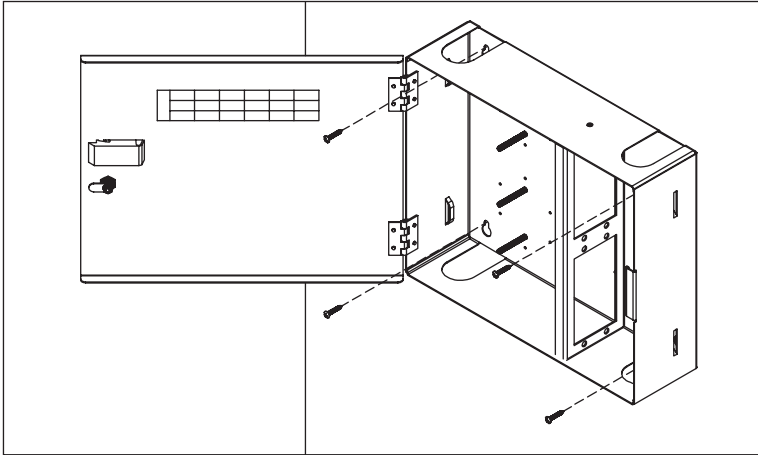


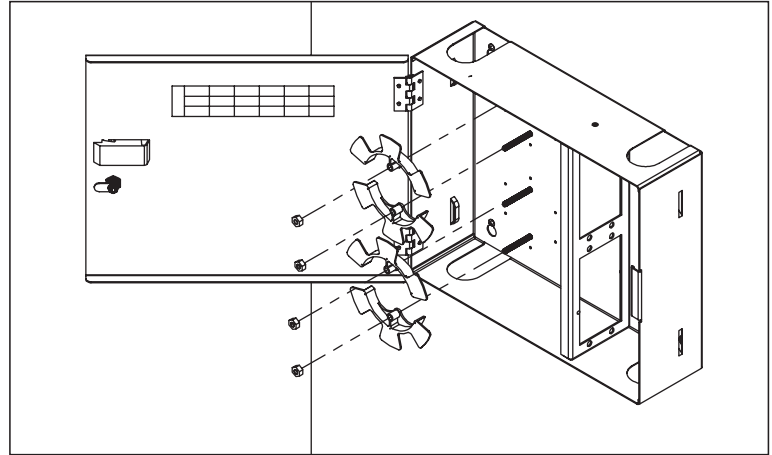


# Classic Fiber Optic Wall Mount Enclosure with 4 LGX® Compatible Slots

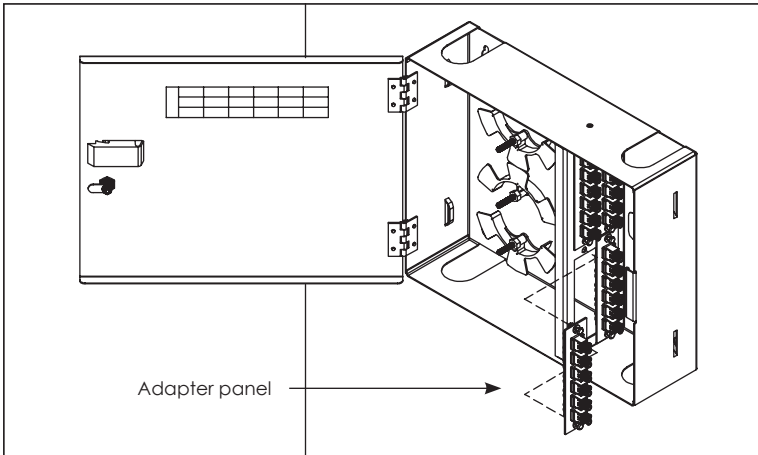
## INSTALLATION INSTRUCTIONS



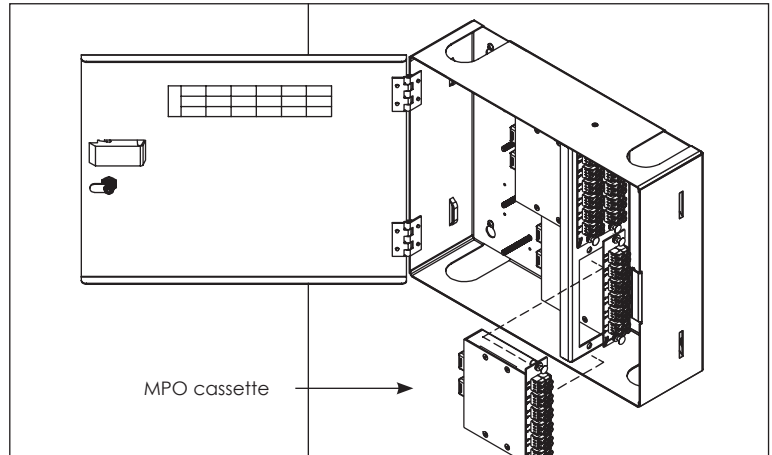
Step 1. Mount the enclosure on a wall near the fiber cable entry point.  
Note: Screws are not included.



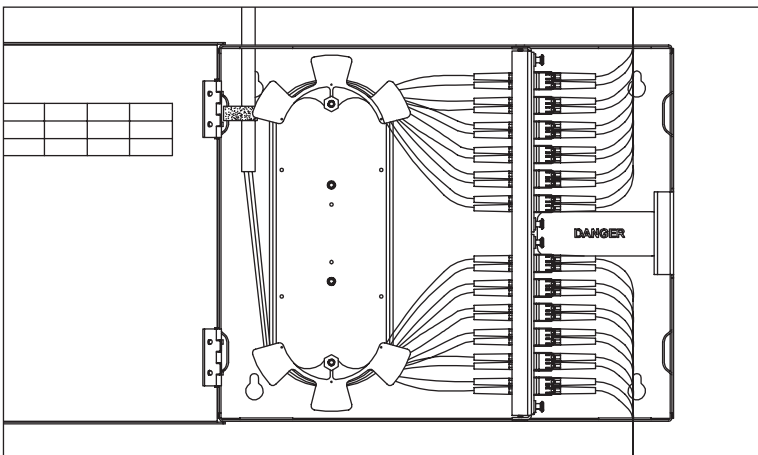
Step 2. If installing fiber optic adapter panels, install cable management spools and secure them using screw nuts. Note: Spools can be configured and stacked in a variety of ways depending on preference.



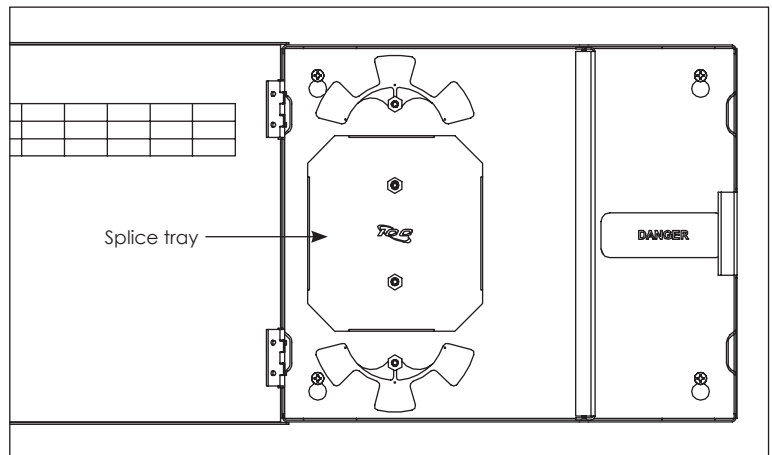
Step 3A. Install fiber optic adapter panels as illustrated.



Step 3B. Install fiber optic MPO cassettes as illustrated.



Step 4. Follow proper fiber bend radius standard and route cable around spools.

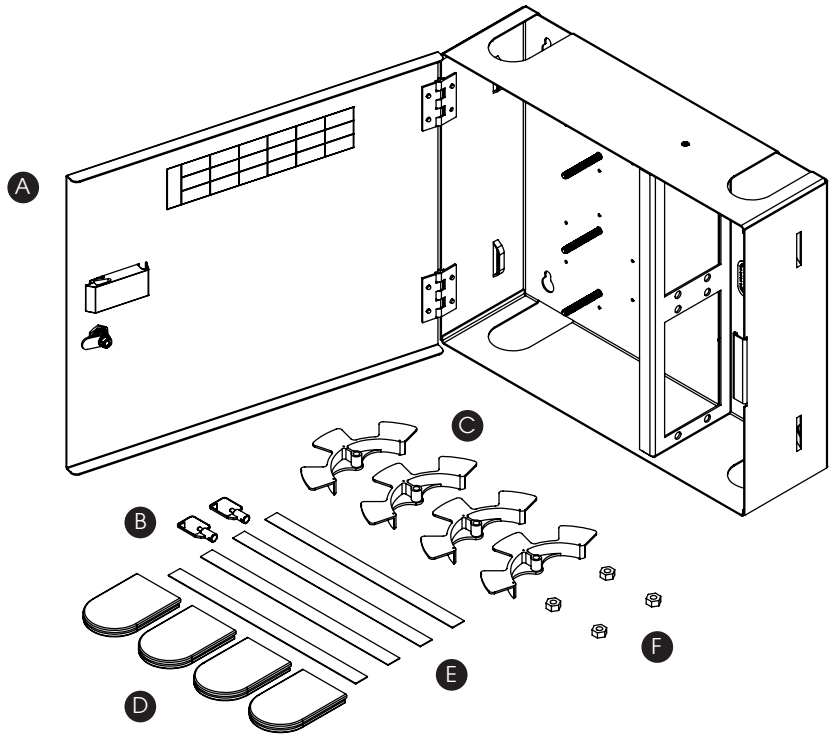


Optional: If splicing is required then install a splice tray and secure it with screw nuts. Splice tray sold separately.



# Classic Fiber Optic Wall Mount Enclosure with 4 LGX® Compatible Slots

## INSTALLATION INSTRUCTIONS



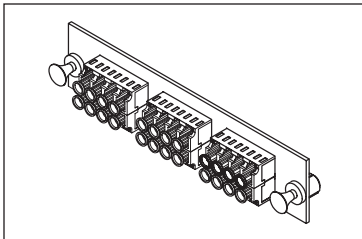
### ICFODE41WM

- A** Wall mount fiber optic enclosure, 1 pc.
- B** Keys, 2 pcs.
- C** Cable management spools, 4 pcs.
- D** Rubber grommets, 4 pcs.
- E** Hook and loop ties, 4 pcs.
- F** M5 x 0.8 screw nuts, 4 pcs.

## FEATURES AND BENEFITS

- Enclosure is designed to be wall mounted
- Made of durable 18 gauge steel with a black powder coated finish
- Holds up to 4 Classic/LGX® footprint adapter panels or MPO cassettes
- Holds 2 splice trays; 12 splices per tray
- 10.75" H x 13" W x 3.5" D
- The door comes with a lock and keys for security

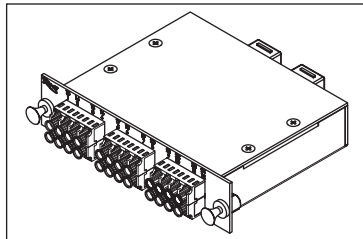
## OPTIONAL ACCESSORIES



### Classic LC 24 Fiber Adapter Panels

- 6 LC quad adapters
- LGX® footprint

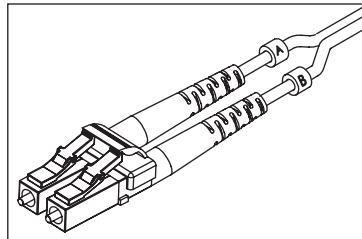
Aqua Multimode **ICFOPL161G**  
 Beige Multimode **ICFOPL1615**  
 Blue Singlemode **ICFOPL1619**



### Classic LC-MPO 24 Fiber Cassettes

- Pre-terminated fibers
- LGX® footprint

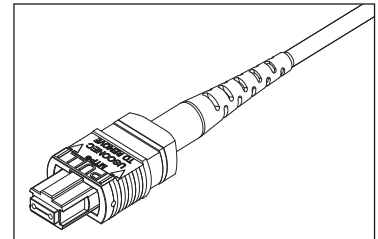
OM3 Multimode **ICFC24ML1G**  
 OM2 Multimode **ICFC24ML50**  
 OM1 Multimode **ICFC24MLD6**  
 OS1 Singlemode **ICFC24SLD9**



### LC 50/125 (OM3) Fiber Jumper

- OFNR riser-rated cable
- Supports multimode

Duplex **ICFOJ1G7xx<sup>1</sup>**  
 Length (xx<sup>1</sup>) = 01, 02, 03, 05, 07, 10 meters



### MTP 9/125 (OS1) Fiber Jumper

- OFNP plenum-rated cable
- Supports singlemode

12 Fiber **ICFOJATSxx<sup>2</sup>**  
 Length (xx<sup>2</sup>) = 05, 10, 15, 20, 30, 40, 50, 60, 70, 80, 90, 100 meters