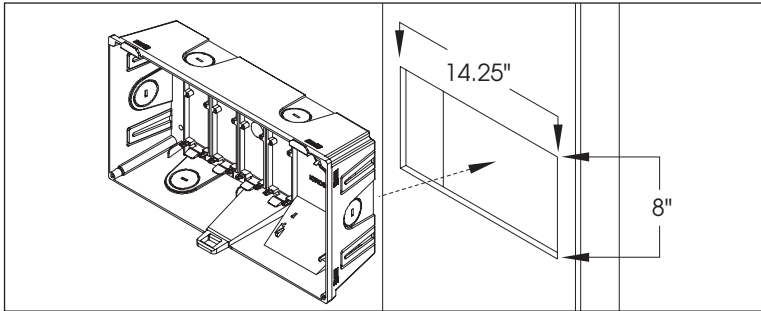


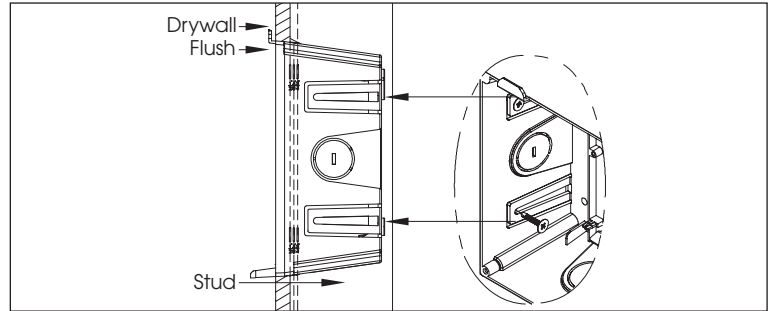


8" Net.Media™ Center Combo with Voice + Video

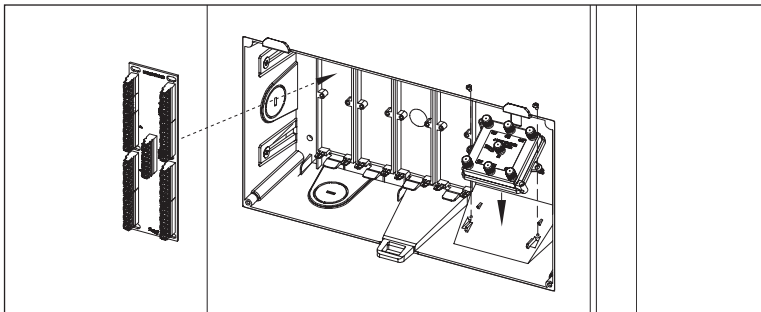
INSTALLATION INSTRUCTIONS



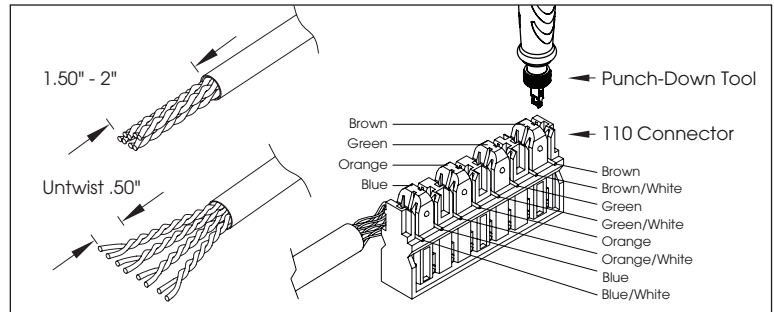
Step 1. Measure 14.25" width x 8" height and then cut an opening into the drywall. Place the enclosure into the opening.



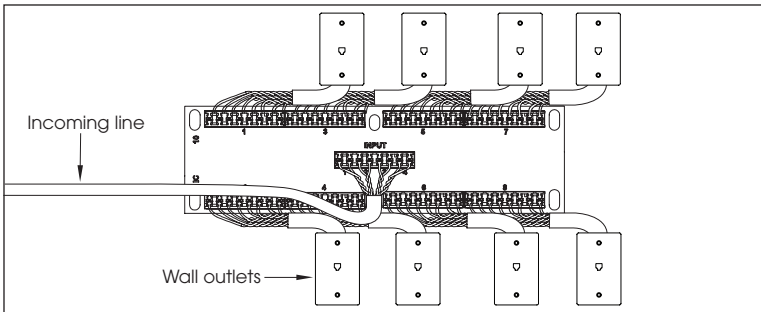
Step 2. Align the front of enclosure to be flush with the drywall or mounting surface. Once aligned, secure to the wall studs using the provided wood screws.



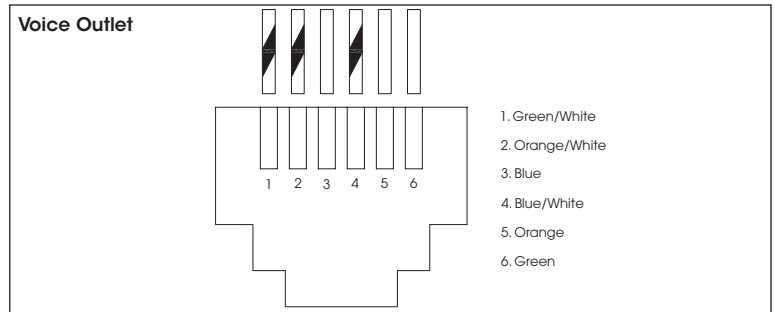
Step 3. Snap in the voice module in 1 of 4 available slots inside of the enclosure. Next, screw down the video splitter.



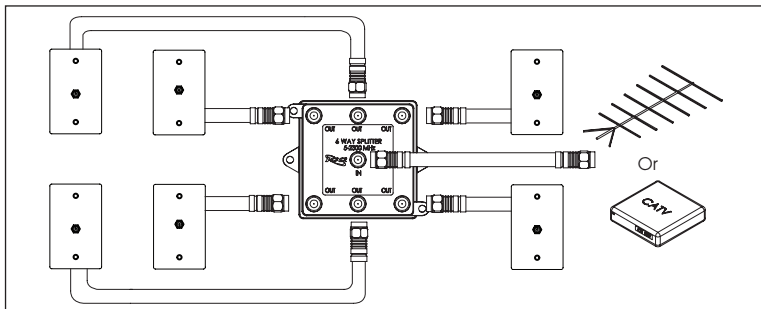
Step 4. To wire the telephone module, strip cable, place the wires into the IDC and terminate using a 110 punch-down tool. TIA-570 residential standard specifies T568A wiring. Note: One phone line per color pair.



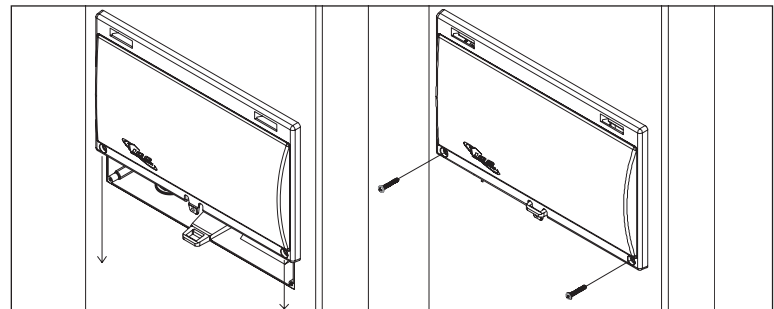
Step 5. Terminate the incoming phone line to the 110 IDC labeled "INPUT". Identify each outlet cable and terminate to 110 IDC labeled "1-8". Note: Line #1 = Blue, Line #2 = Orange, Line #3 = Green, Line #4 = Brown.



Note: Follow USOC wiring on 6P6C voice modular connectors to connect up to 3 phone lines per outlet.



Step 6. Attach a coaxial cable from the antenna or cable TV source to the "IN" connector on the splitter. Up to 6 TV tuners can be connected to the "OUT" connectors.



Step 7. To install the cover, slide it down over the base of the enclosure and secure it with the provided tapping screws.

888-ASK-4ICC

cs@icc.com

icc.com



8" Net.Media™ Center Combo with Voice + Video

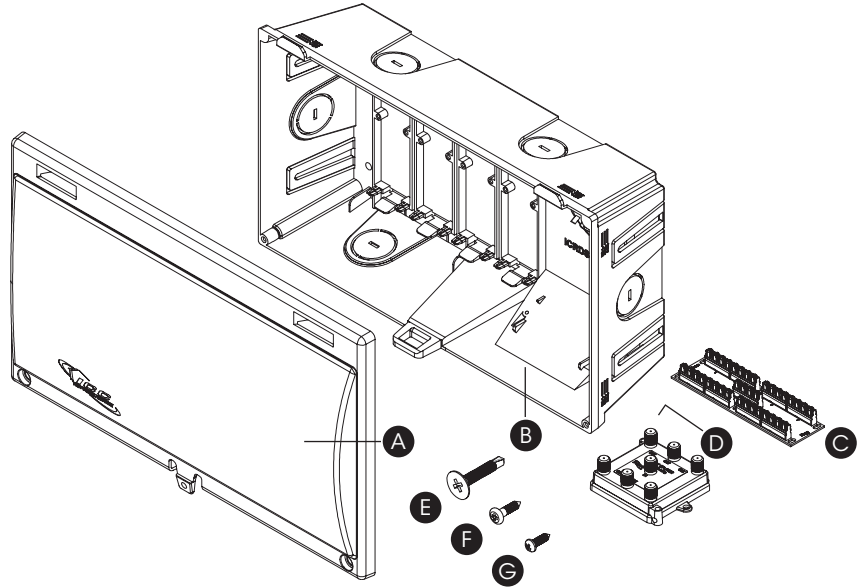
INSTALLATION INSTRUCTIONS

ICRDSMMAK8 • Single

- A Cover, 1 piece
- B 8" enclosure, 1 piece
- C Telephone module, 1 piece
- D CATV module, 1 piece
- E #10-24 x 1" wood screws, 4 pieces
- F #6-12 X 12MM, Tapping Screw, 2 pieces
- G T3-24 X 10MM, Tapping Screw, 2 pieces

ICRDSMMBK8 • 6-Pack

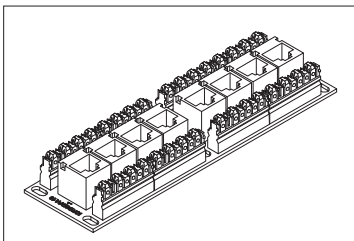
- A Cover, 6 pieces
- B 8" enclosure, 6 pieces
- C Telephone module, 6 pieces
- D CATV module, 6 pieces
- E #10-24 x 1" wood screws, 24 pieces
- F #6-12 X 12MM, Tapping Screw, 12 pieces
- G T3-24 X 10MM, Tapping Screw, 12 pieces



FEATURES AND BENEFITS

- Snap-on cover and base are constructed of durable ABS plastic
- 8-Port bridged telephone module for connecting phones in 8 locations
- 1x6 CATV splitter module for connecting video in 6 locations
- Includes screws for surface mounting
- Designed with 1.40" knockouts on the top, bottom and sides of the enclosure for routing cables

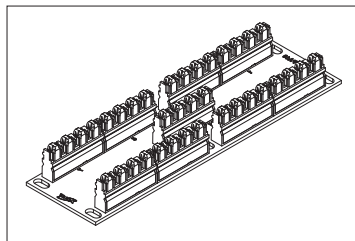
OPTIONAL ACCESSORIES



CAT 5e Data Module

ICRDSVPA10

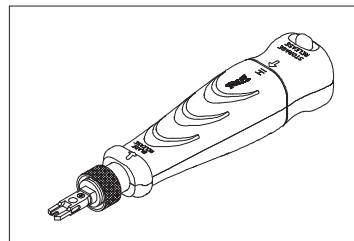
- 8-Ports
- TIA Category 5e rated



Telephone Module

ICRDSIPA10

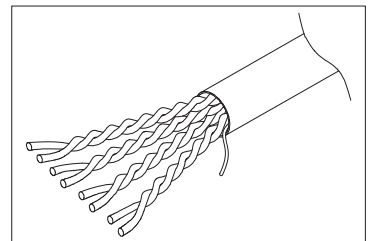
- 8-Ports, bridged IDC
- Up to 4 incoming lines
- Up to 8 extensions



Single Blade Punch-Down Tool

ICACSPDT00

- Single wire termination
- 110 IDC and 66 blocks
- Both blades included
- Adjustable impact settings
- Comfortable grip



CAT 5e UTP Premise Cables

ICCABP5Exx¹ CMP

ICCABR5Exx¹ CMR

- 4-Pair, 24 AWG
- Solid copper cable
- 1000 ft., EZ pull carton

¹xx denotes color = BL-Blue, GY-Gray, WH-White, YL-Yellow, GN-Green