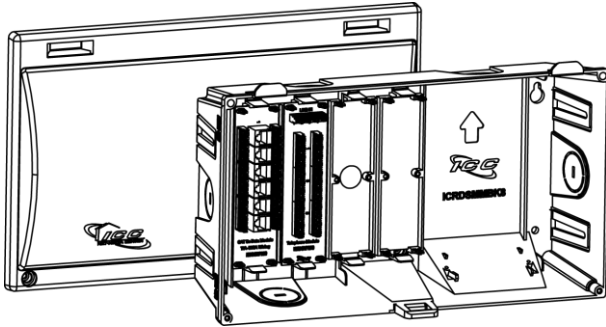


Combo, Net Media Center, 8" 6-Port Voice & Data

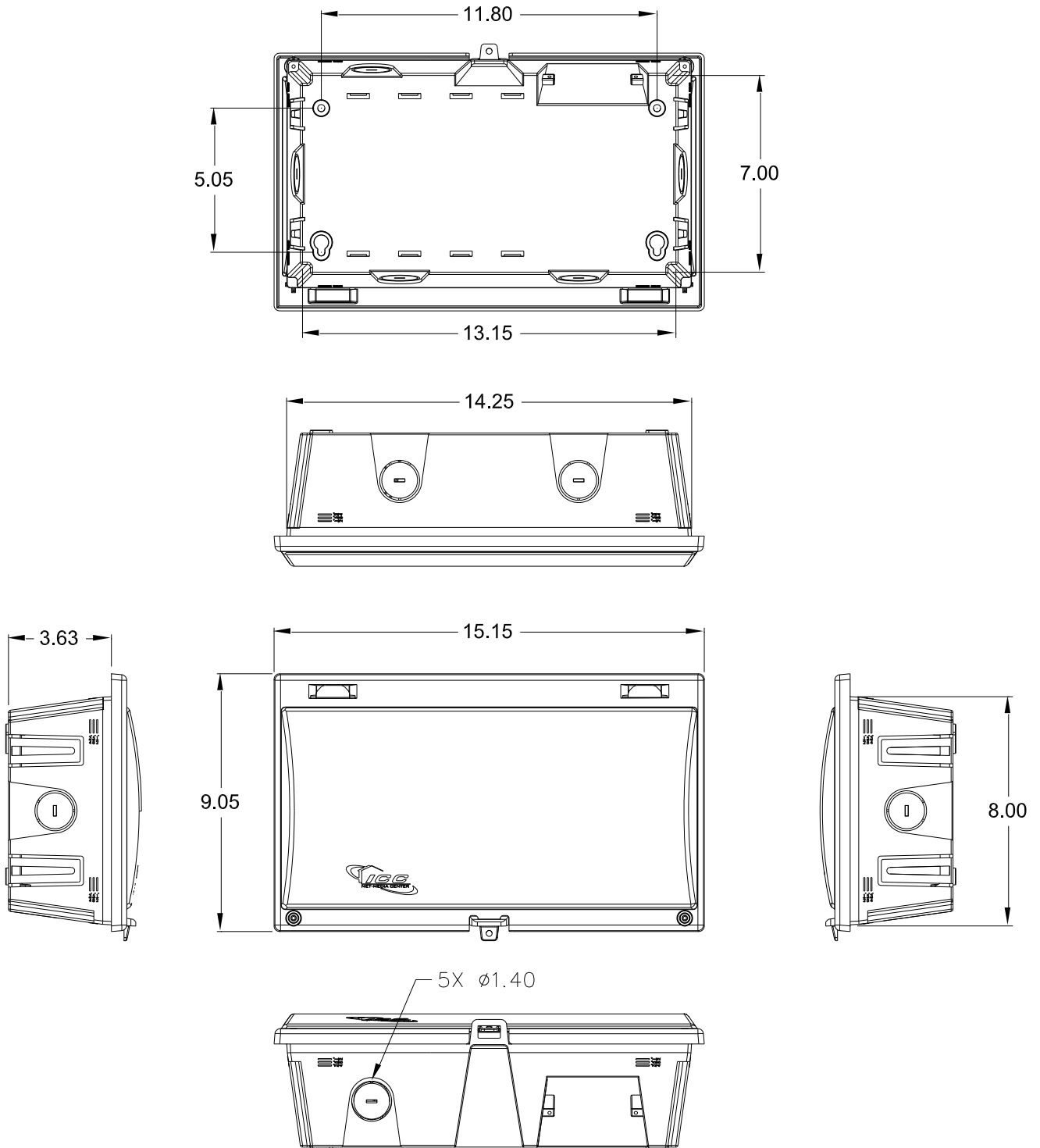
Package Includes:

- A. 8" Plastic Net Media Center Box, **1 Piece**
- B. Cover, **1 Piece**
- C. 6-Port Telephone Module, **1 Piece**
- D. 6-Port CAT 5e Data Module, **1 Piece**
- E. #6-12 X 12mm Pan Head. Tapping Screw, Phillips, Zinc Plated Steel, **2 Pieces**
- F. #10-24 X 1", Wood Screw, **4 Pieces**
- G. Installation Instructions, **1 Sheet**



Features and Benefits

- Designed to serve as the central distribution point for voice, data, video, audio, and security services
- Works with snap-in phone and data modules
- Snap-in system enables users to quickly insert or move the modules
- 4 internal mounting spaces for phone and data modules
- 1 mounting space for a video module (optional)
- ABS plastic, lightweight, and sturdy
- Fits between 16" studs or can be wall mounted
- Depth mark on the enclosure simplifies adjustment for drywall depths (1/2", 5/8", 3/4")
- Enclosure combos are not designed to be installed in firewall applications
- Complies with ETL, TIA-568-C, TIA-570-B and TIA-607 standards
- The cover snaps on and can be screwed down, and has a knockout for an optional padlock



NOTE: UNLESS OTHERWISE SPECIFIED

1. Material: ABS, UL 94V-0
2. Color: White
3. Finish: Matte

NOTE: UNLESS OTHERWISE SPECIFIED

1. Material:

A. PCB: Glass Epoxy FR4 Copper Clad .062"
Thick Per MIL-P-13949

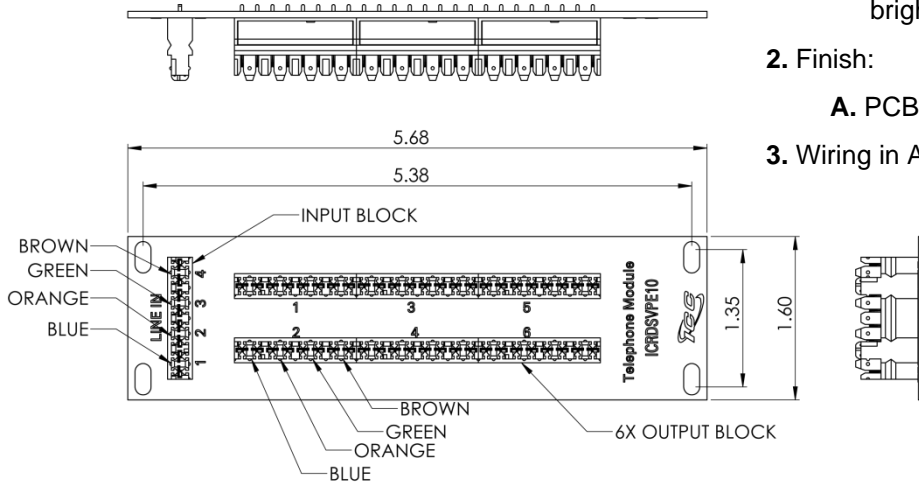
B. 110 Block: ABS, UL 94V-0

C. 110 Connector: Copper Alloy, 100µin of
bright solder over 100µin of nickel under plate

2. Finish:

A. PCB: Electroplated solder with hot solder dip

3. Wiring in Accordance to T568A



NOTE: UNLESS OTHERWISE SPECIFIED

1. Material:

A. PCB: Glass Epoxy FR4 Copper Clad .062"
Thick Per MIL-P-13949

B. 110 Block: ABS, UL 94V-0

C. 110 Connector: Copper Alloy, 100µin of
bright solder over 100µin of nickel under plate

2. Finish:

A. PCB: Electroplated solder with hot solder dip

3. Wiring in Accordance to T568A

