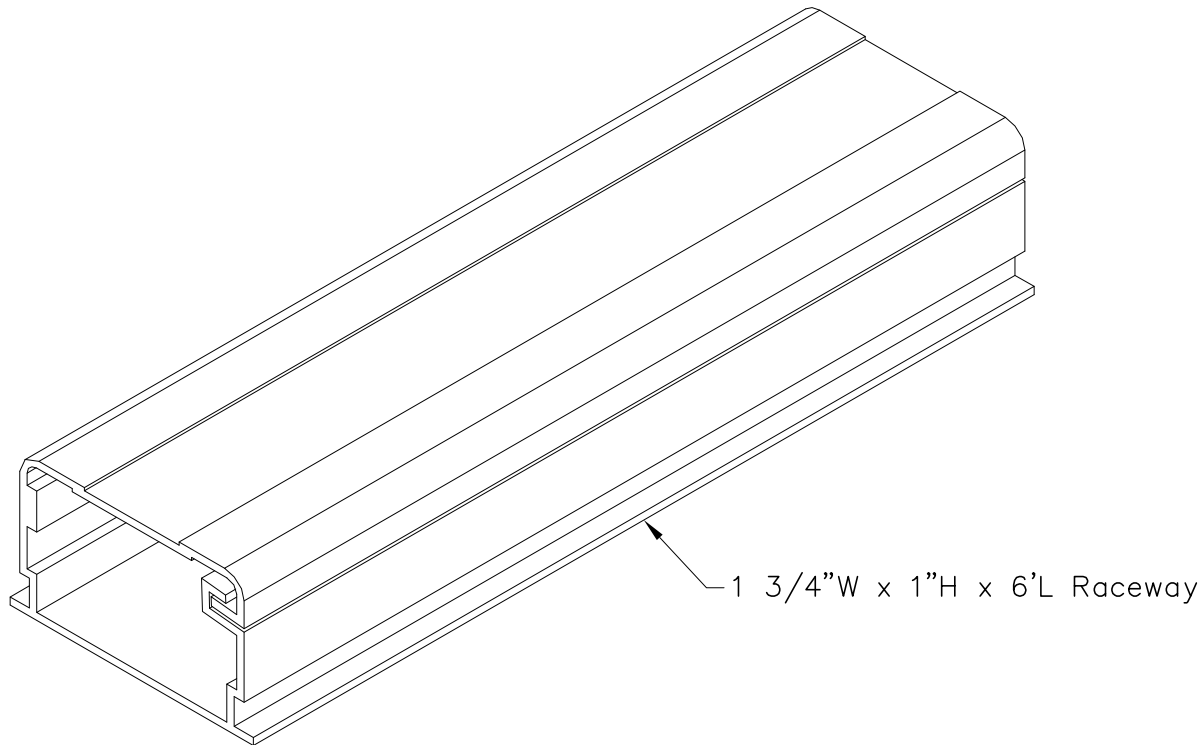


1 3/4"W x 1"H x 6'L Raceway

PRODUCT SPECIFICATION

Package includes:

- A. 1 3/4"W x 1"H x 6'L Raceway, 1 pc
- B. Installation Instructions, 1 sheet



Features and Benefits:

- Designed to blend in and conceal voice, data, coax, audio, video, and fiber cables in office and residential environments.
- Integrated one piece latching system provides a simple and quick install.
- Adhesive backing allows a secure and permanent placement.
- Easy to cut, trim, and paint to fit virtually any decor and application layout.
- Accommodates a wide variety of outlet boxes including IC108SB Elite surface mount boxes, IC108MMB multi-media boxes, IC107M mounting boxes, and ICACSMB junction boxes.
- Used with ICACSTPE60 raceway cutting tool.
- Available in ivory and white.
- Installation instructions.

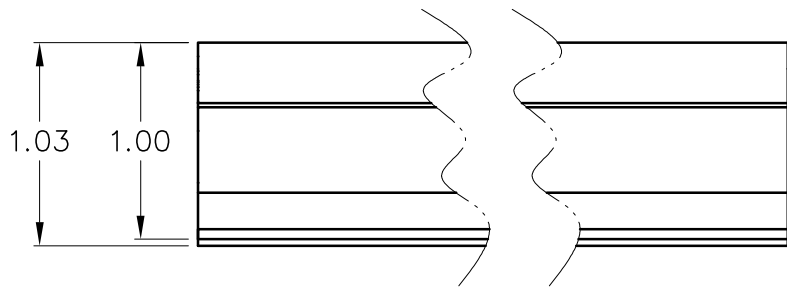
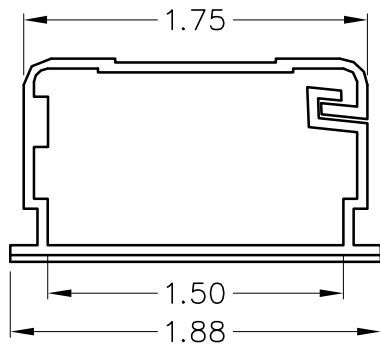
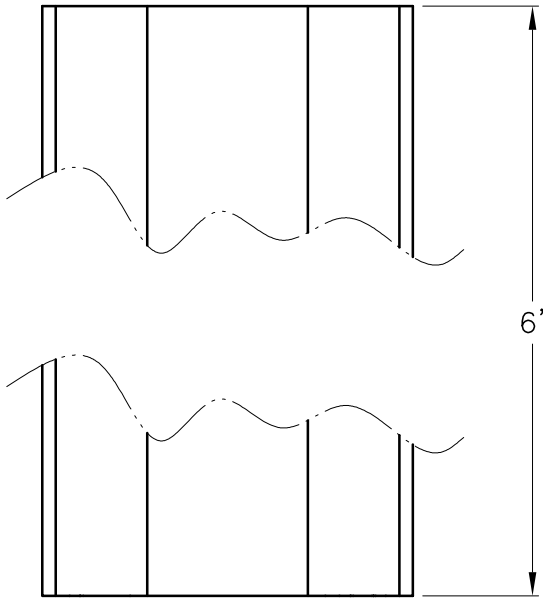
RACEWAY, 1 3/4"W X 1"H X 6'L

ITEM NO. ICRW44R6XX
DWG NO. PSRW44R600

REV. A
PAGE NO. 1




CUSTOMER CARE / TECHNICAL SUPPORT * CSR@ICC.COM / 888-ASK-4-ICC (275-4422) * 14700 Alondra Blvd., La Mirada, CA 90638 * www.icc.com



NOTE: UNLESS OTHERWISE SPECIFIED

1. MATERIAL: PVC, UL 94V-0
2. COLOR: XX: IV-IVORY & WH-WHITE

RACEWAY, 1 3/4"W X 1"H X 6'L		 <i>PremiumProducts</i> <i>ProvenPerformance</i> <i>CompetitivePrices</i>	
ITEM NO.	ICRW44R6XX		REV. A
DWG NO.	PSRW44R600	PAGE NO.	2

CUSTOMER CARE / TECHNICAL SUPPORT * CSR@ICC.COM / 888-ASK-4-ICC (275-4422) * 14700 Alondra Blvd., La Mirada, CA 90638 * www.icc.com