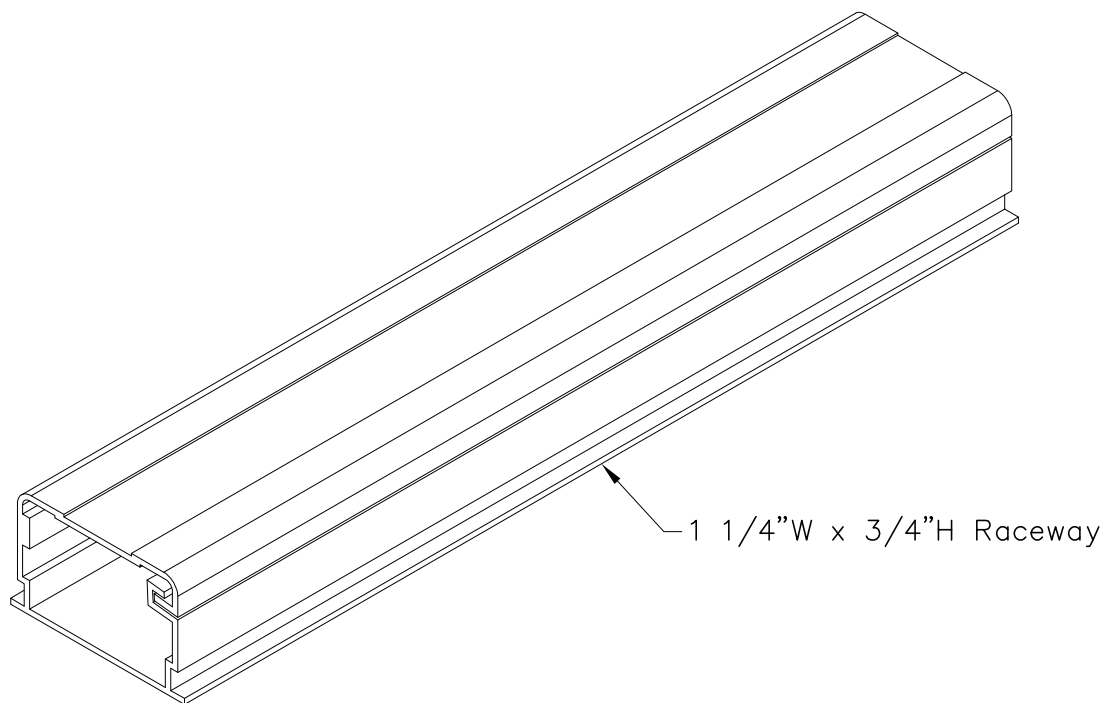


# 1 1/4"W x 3/4"H Raceway

## PRODUCT SPECIFICATION

### Package includes:

- A. 1ft, 1 1/4"W x 3/4"H Raceway  
(Ordered by 6ft Increments)
- B. Installation Instructions, 1 sheet



### Features and Benefits:

- Designed to blend in and conceal voice, data, coax, audio, video, and fiber cables in office and residential environments
- Integrated one piece latching system provides a simple and quick install
- Adhesive backing allows a secure and permanent placement
- Easy to cut, trim, and paint to fit virtually any decor and application layout
- Accommodates a wide variety of outlet boxes including IC108SB Elite surface mount boxes, IC108MMB multi-media boxes, IC107M mounting boxes, and ICACSMB junction boxes
- Used with ICACSTPE60 raceway cutting tool
- Available in ivory and white

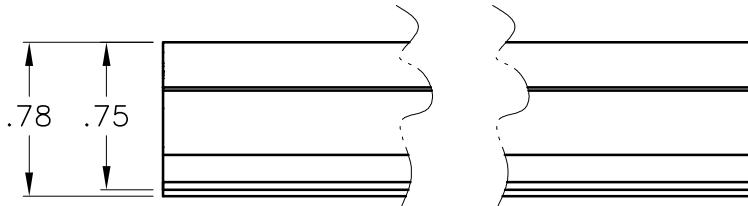
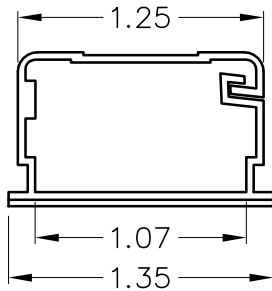
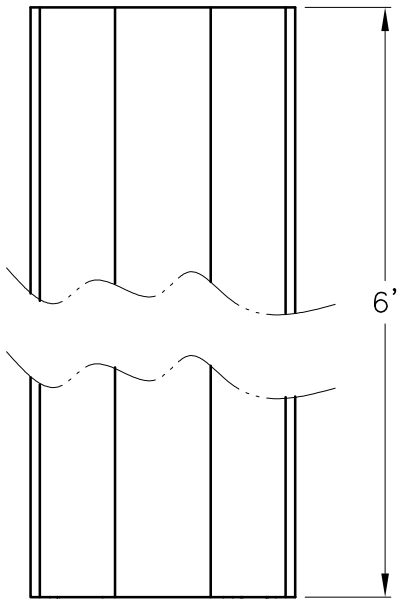
### RACEWAY, 1 1/4"W X 3/4"H X 6'L, 120'/BX

|          |            |
|----------|------------|
| ITEM NO. | ICRWR12SXX |
| DWG NO.  | PSRWR12S00 |

|          |   |
|----------|---|
| REV.     | A |
| PAGE NO. | 1 |




CUSTOMER CARE / TECHNICAL SUPPORT \* CSR@ICC.COM / 888-ASK-4-ICC (275-4422) \* 14700 Alondra Blvd., La Mirada, CA 90638 \* www.icc.com



**NOTE: UNLESS OTHERWISE SPECIFIED**

1. MATERIAL: PVC, UL 94V-0
2. COLOR: XX: IV-IVORY & WH-WHITE

|  |            |   |
|--|------------|---|
| <b>RACEWAY, 1 1/4"W X 3/4"H X 6'L, 120'/BX</b> |            |  |
| ITEM NO. ICRWR12SXX                            | REV. A     |   |
| DWG NO. PSRWR12S00                             | PAGE NO. 2 |   |

CUSTOMER CARE / TECHNICAL SUPPORT \* CSR@ICC.COM / 888-ASK-4-ICC (275-4422) \* 14700 Alondra Blvd., La Mirada, CA 90638 \* www.icc.com