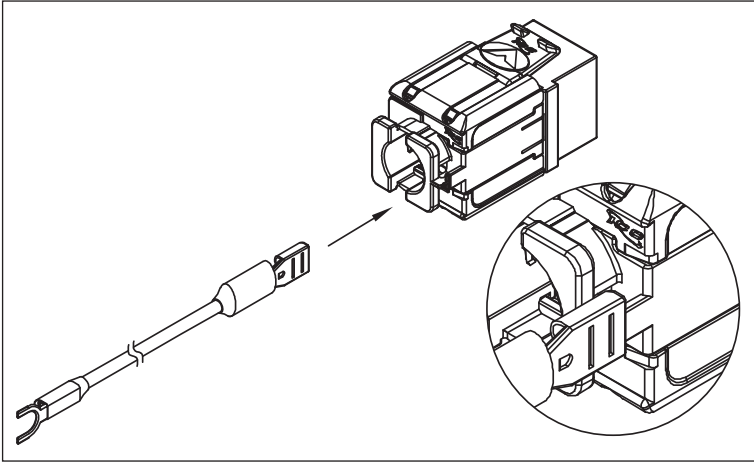


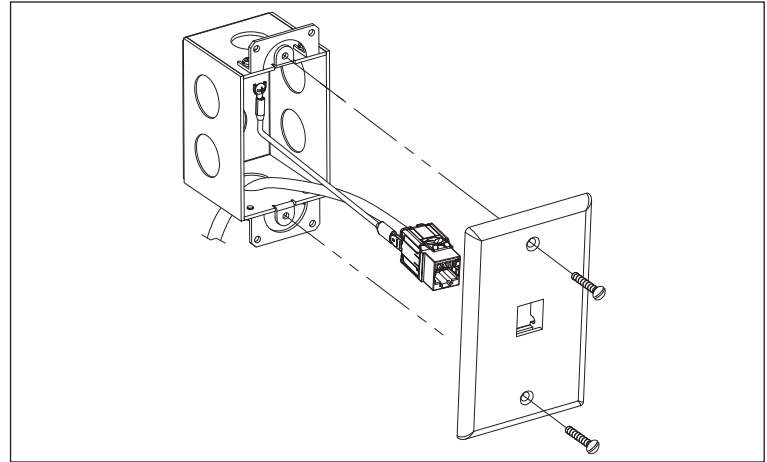


Grounding Wire

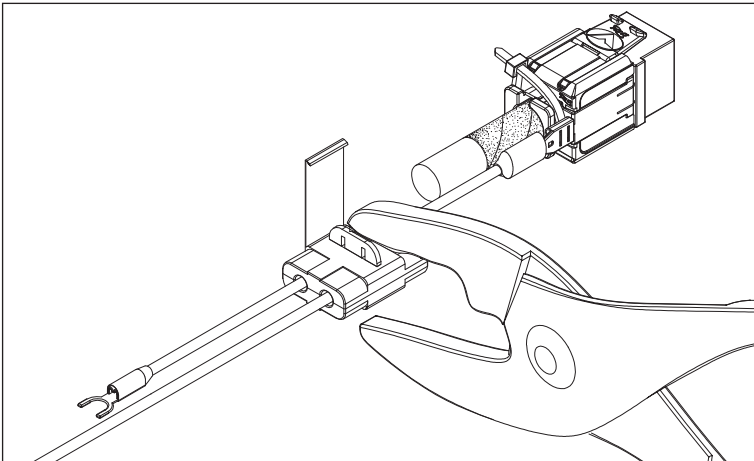
INSTALLATION INSTRUCTIONS



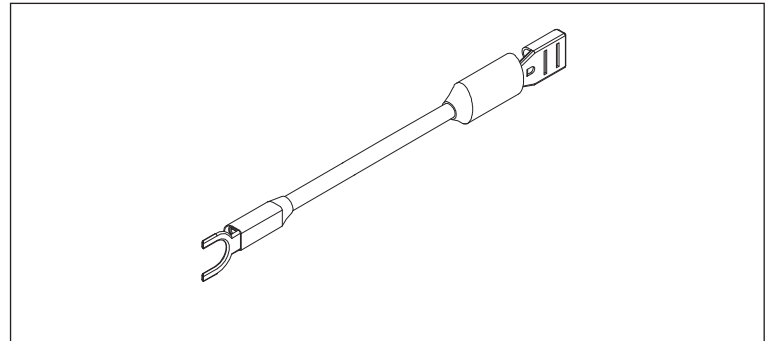
Step 1: Insert the grounding wire onto the grounding tab on the back of modular connector.



Step 2a: Ground the wire to the metal electrical box by screwing down the fork terminal or follow step 2b.



Step 2b: Ground the wire to an existing grounding wire by using a tap splice (not included).



Item #	Description	AWG
ICACSGK6AS	Grounding Wire Extension	18 AWG

FEATURES AND BENEFITS

- Compatible with CAT 6A FTP modular connector IC1078S6A0.
- Spade connector end allows grounding wire to be easily installed to an existing grounding point.
- 18 AWG withstands up to 600V, 105°C.