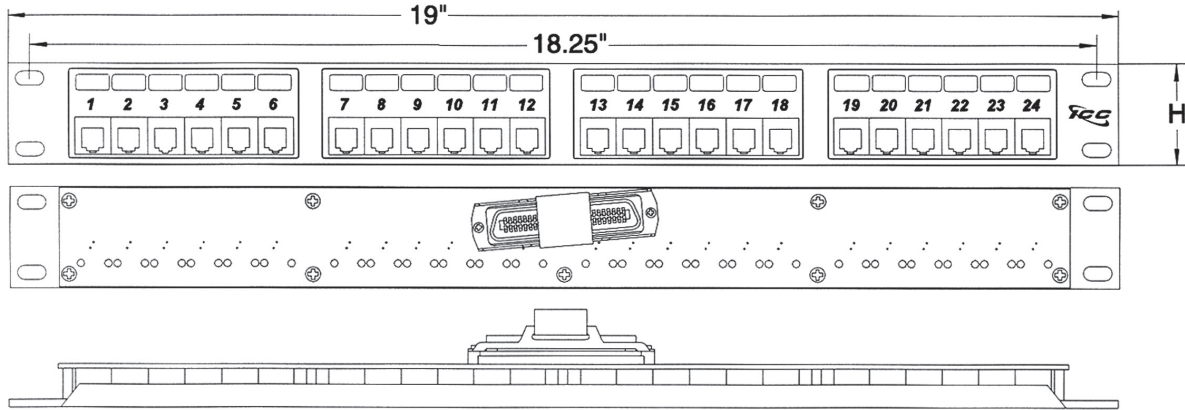


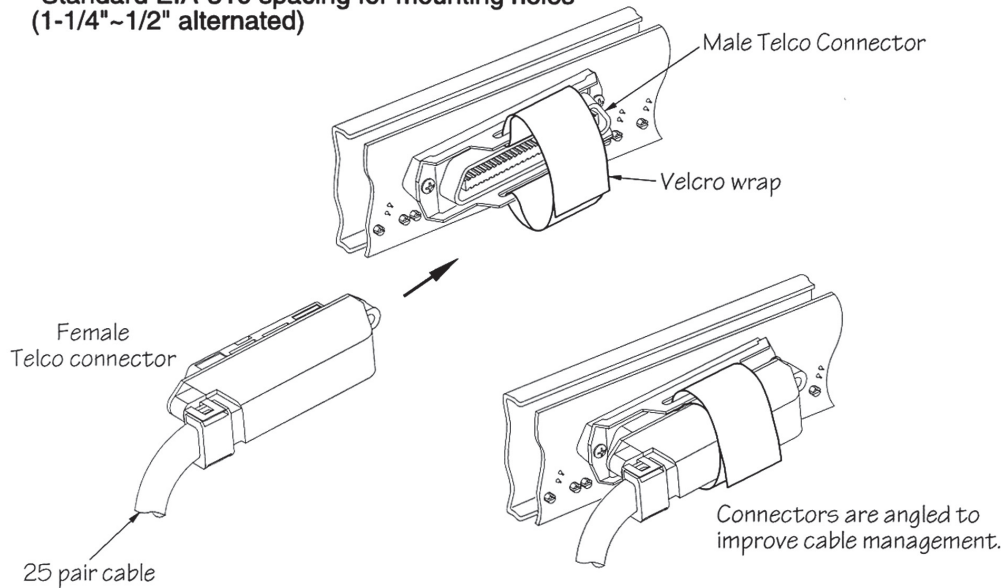


# Installation Instructions

## Patch Panel- 50 Pin Telco to 6 Pos. 2 Cond. Jack (USOC)



\*Standard EIA-310 spacing for mounting holes  
(1-1/4"~1/2" alternated)



### USOC, 2 COND. Wiring Diagram

| TELCO<br>50 POS | JACK<br>6 POS 2 COND |
|-----------------|----------------------|
| 26              | 4                    |
| 1               | 3                    |
| 27              | 4                    |
| 2               | 3                    |
| 28              | 4                    |
| 3               | 3                    |
| 29              | 4                    |
| 4               | 3                    |
| 30              | 4                    |
| 5               | 3                    |
| 31              | 4                    |
| 6               | 3                    |
| 32              | 4                    |
| 7               | 3                    |
| 33              | 4                    |
| 8               | 3                    |
| 34              | 4                    |
| 9               | 3                    |
| 35              | 4                    |
| 10              | 3                    |
| 36              | 4                    |
| 11              | 3                    |
| 37              | 4                    |
| 12              | 3                    |
| 38              | 4                    |
| 13              | 3                    |
| 39              | 4                    |
| 14              | 3                    |
| 40              | 4                    |
| 15              | 3                    |
| 41              | 4                    |
| 16              | 3                    |
| 42              | 4                    |
| 17              | 3                    |
| 43              | 4                    |
| 18              | 3                    |
| 44              | 4                    |
| 19              | 3                    |
| 45              | 4                    |
| 20              | 3                    |
| 46              | 4                    |
| 21              | 3                    |
| 47              | 4                    |
| 22              | 3                    |
| 48              | 4                    |
| 23              | 3                    |
| 49              | 4                    |
| 24              | 3                    |
| 50              | OPEN                 |
| 25              | OPEN                 |

NO. OF PORTS- 24

### INSTRUCTIONS:

1. Loosen Velcro wrap without detaching it from metal bracket and remove dust cover from male Telco connector.
2. Insert female Telco connector into Velcro wrap.
3. Plug female Telco connector into male Telco connector.
4. Tighten Velcro wrap to secure the connectors.

| ITEM NO.   | NO. OF PORTS | H     |
|------------|--------------|-------|
| ICMPP024T2 | 24           | 1.75" |
| ICMPP048T2 | 48           | 3.50" |
|            |              |       |
|            |              |       |