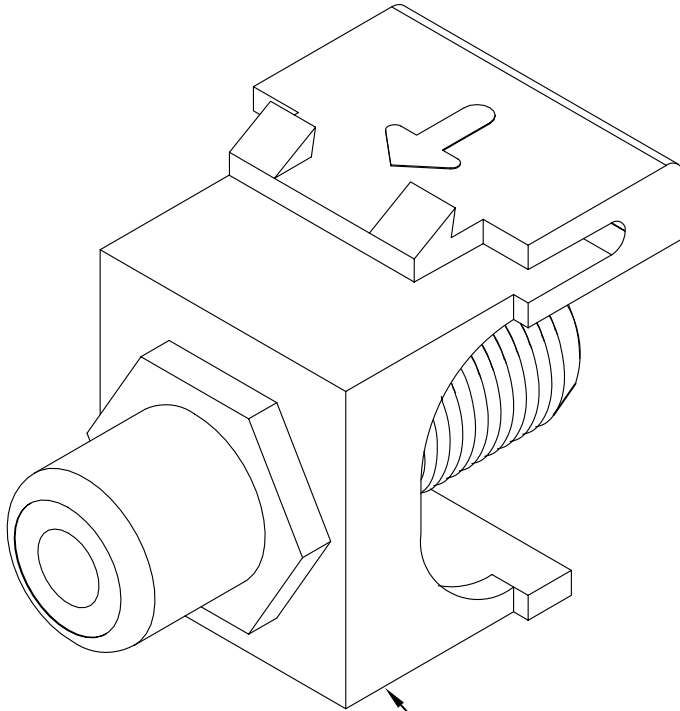


RCA Female to F-Type Female Module

PRODUCT SPECIFICATION

Package includes:

A. RCA Female to F-Type Female Module, 1 pc



—RCA Female to F-Type Female Module

Features and Benefits:

- Gold plating for improved performance with superior signal quality with minimal noise
- Used for audio and video applications
- Colored insulators providing for quick and easy identification of the type of signal carried on the circuit, making it easy to separate audio and video signals
- Available with black, blue, green, red, white, and yellow insulators
- Rear threaded F-Type connectors for secure in-wall connections with both RG6 and RG59 coaxial cables
- Provides a clean and neat appearance installation
- Compatible with all IC107 faceplates, inserts, surface mount boxes, and blank patch panels
- Compatible with all IC108 furniture faceplates, bezels, and surface mount boxes
- Housing color available in almond, black, ivory, and white

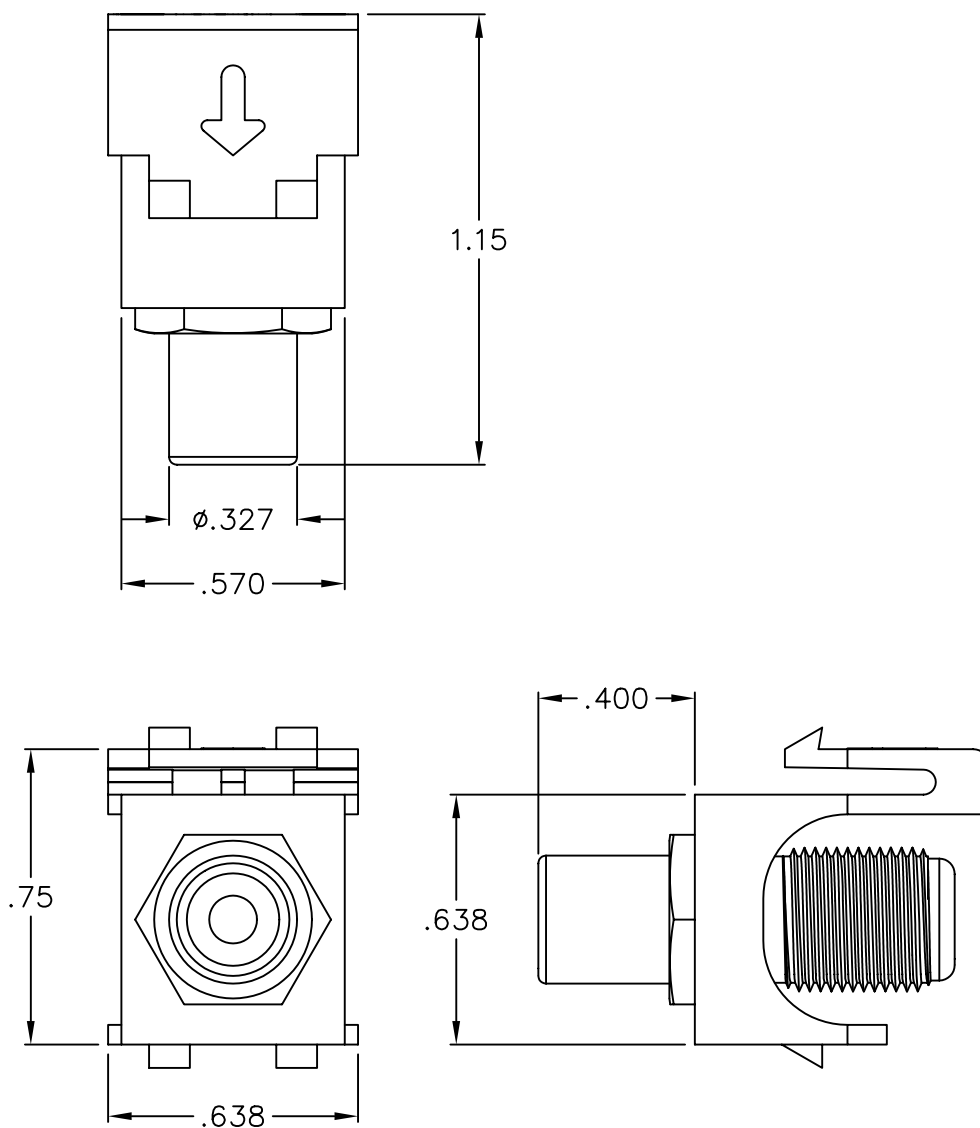
MODULE, RCA F-TYPE

ITEM NO. IC107ZFGXX
 DWG NO. PS1070FG00

REV. C
 PAGE NO. 1



CUSTOMER CARE / TECHNICAL SUPPORT * CSR@ICC.COM / 888-ASK-4-ICC (275-4422) * 14700 Alondra Blvd., La Mirada, CA 90638 * www.icc.com



NOTE: UNLESS OTHERWISE SPECIFIED

1. HOUSING:
 - A. MATERIAL: ABS, UL 94V-0
 - B. COLOR: XX: AL-ALMOND, BK-BLACK, IV-IVORY, & WH-WHITE
2. CONNECTOR:
 - A. BODY: BRASS WITH FLASH GOLD PLATING
 - B. INSULATION: PP
 - C. CONTACT: BRASS WITH FLASH NICKEL PLATING
3. ELECTRICAL:
 - A. CONTACT RESISTANCE: 30M OHM MAX.
 - B. INSULATION RESISTANCE: 100M OHM MIN @ 500V DC
 - C. DIELECTRIC STRENGTH: 500 VOLTS FOR ONE MINUTE
4. MECHANICAL:
 - A. THREAD: 3/8-32

MODULE, RCA F-TYPE



PremiumProducts
ProvenPerformance
CompetitivePrices

ITEM NO.	IC107ZFGXX	REV.	C
DWG NO.	PS1070FG00	PAGE NO.	2

CUSTOMER CARE / TECHNICAL SUPPORT * CSR@ICC.COM / 888-ASK-4-ICC (275-4422) * 14700 Alondra Blvd., La Mirada, CA 90638 * www.icc.com