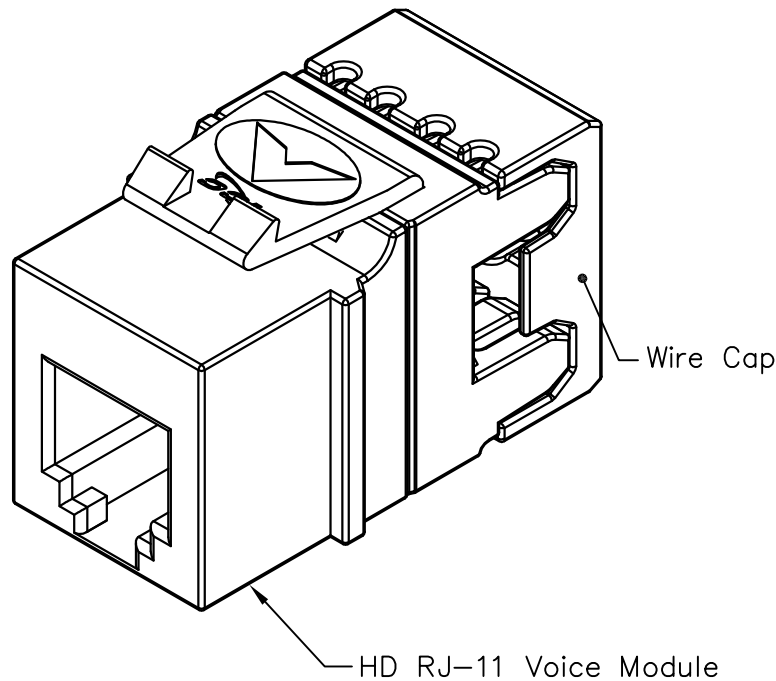


# 6P6C High Density RJ-11 Voice Module

## PRODUCT SPECIFICATION

### Package includes:

- A. 6P6C HD RJ-11 Voice Module, 1 pc
- B. Wire Cap, 1 pc



### Features and Benefits:

- Designed for all voice connectivity applications
- PCB technology provides maximum performance and superior signal quality
- Engineered to provide 110 IDC termination reducing installation time
- Reduced rear footprint allows for greater connectivity density and provides for more port configurations in a smaller area
- Includes an integrated USOC/UTP color wiring diagram
- Compatible with all IC107 faceplates, inserts, surface mount boxes, and blank patch panels
- Compatible with all IC108 furniture faceplates, bezels, and surface mount boxes
- Used with ICC ICLC4, ICLC6 line cords and 110 punch down tool ICACSPDT00
- Available in green, orange, purple, red, yellow, almond, black, blue, gray, ivory, and white.
- ANSI/TIA-568-C and UL 1863 compliant

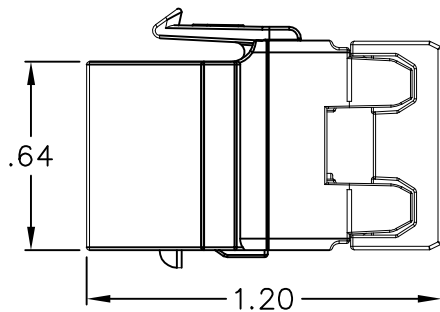
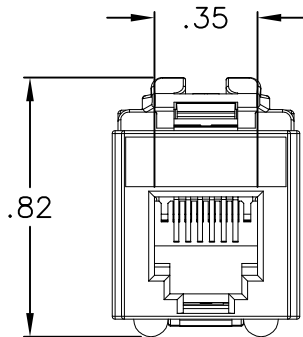
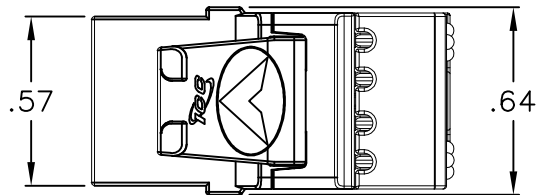
### MODULE, VOICE, RJ-11, HD

ITEM NO.	IC1076FOXX
DWG NO.	PS1076F000

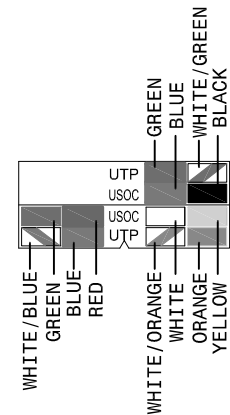
REV.	C
PAGE NO.	1



CUSTOMER CARE / TECHNICAL SUPPORT \* CSR@ICC.COM / 888-ASK-4-ICC (275-4422) \* 2100 E. Valencia Dr, Suite D, Fullerton, CA 92831\* www.icc.com



**WIRING DIAGRAM**



**NOTE: UNLESS OTHERWISE SPECIFIED**

**1. RJ-11 VOICE MODULE:**

**A. ELECTRICAL:**

- CURRENT RATING: 1.5 AMPS MAX
- VOLTAGE RATING: 150 VOLTS ALTERNATING
- DIELECTRIC WITHSTANDING VOLTAGE: 1000 VOLTS RMS, 60 HZ
- INSULATION RESISTANCE: > 10 MOHMS

**B. MECHANICAL:**

- MATED FORCE: 5 LBS MAX
- UNMATED FORCE: 5 LBS MAX
- PLUG RETENTION FORCE: 20 LBS MIN
- DURABILITY: 750 CYCLES

**C. PHYSICALS:**

- HOUSING: HIGH-IMPACT, FLAME RETARDANT PLASTIC, UL 94V-0
- CONTACT: PHOSPHOR BRONZE ALLOY PLATED WITH 50 μin OF GOLD OVER 70~100 μin OF NICKEL
- GOLD PLATING: 1.27 MICRON/50 μin MIN
- CONNECTOR: INSULATION DISPLACEMENT CONNECTOR (IDC) ACCEPTS 22~24 AWG SOLID WIRE

**D. COLORS: XX: GN-GREEN, OR-ORANGE, PR-PURPLE, RD-RED, YL- YELLOW, AL-ALMOND, BK-BLACK, BL-BLUE, GY-GRAY, IV-IVORY, WH-WHITE**

**2. TERMINATION CAP:**

- A. MATERIAL: PC, UL 94V-0
- B. COLOR: CLEAR

CAT 3 CONNECTING HARDWARE REQUIREMENTS					
FREQUENCY (MHz)	1.0	4.0	8.0	10.0	16.0
NEXT LOSS (db)	58.1	46.0	40.0	38.1	34.0
FEXT LOSS (db)	N/S	N/S	N/S	N/S	N/S
RETURN LOSS (db)	N/S	N/S	N/S	N/S	N/S
INSERTION LOSS(db)	0.10	0.20	0.28	0.32	0.40



<b>MODULE, VOICE, RJ-11, HD</b>			
ITEM NO.	IC1076FOXX		REV. C
DWG NO.	PS1076F000		PAGE NO. 2

CUSTOMER CARE / TECHNICAL SUPPORT \* CSR@ICC.COM / 888-ASK-4ICC (275-4422) \* 2100 E. Valencia Dr, Suite D, Fullerton, CA 92831\* www.icc.com