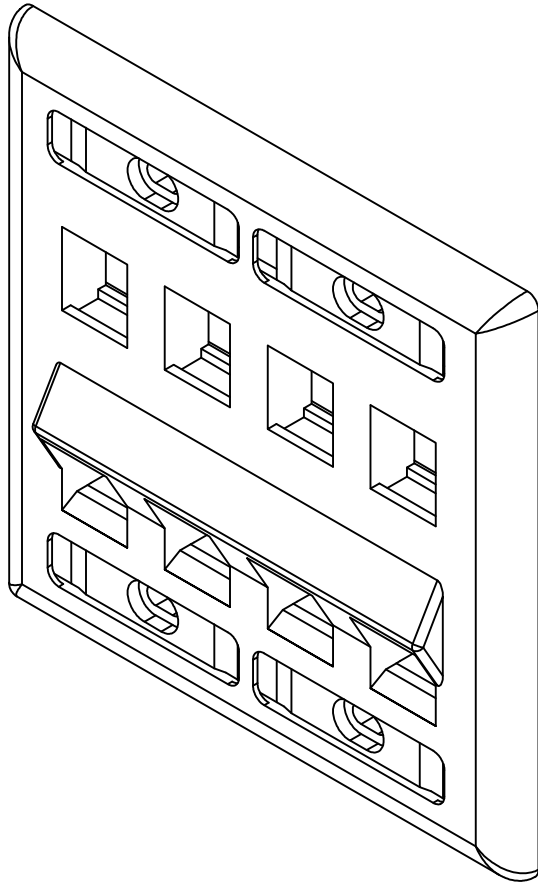


8-Port Double Gang Bottom Angled Faceplate With Station ID

PRODUCT SPECIFICATION



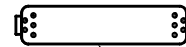
Package includes:

- A. 8-Port Double Gang Bottom Angled Faceplate With Station ID, 1 pc
- B. ICC Label Cover, 2 pcs
- C. Clear Label Cover, 4 pcs
- D. Paper Label, 4 pcs
- E. #6-32 x 3/4" Pan Head Machine Screw, 4 pcs

8-Port Bottom Angled Faceplate With Station ID




ICC Label Cover



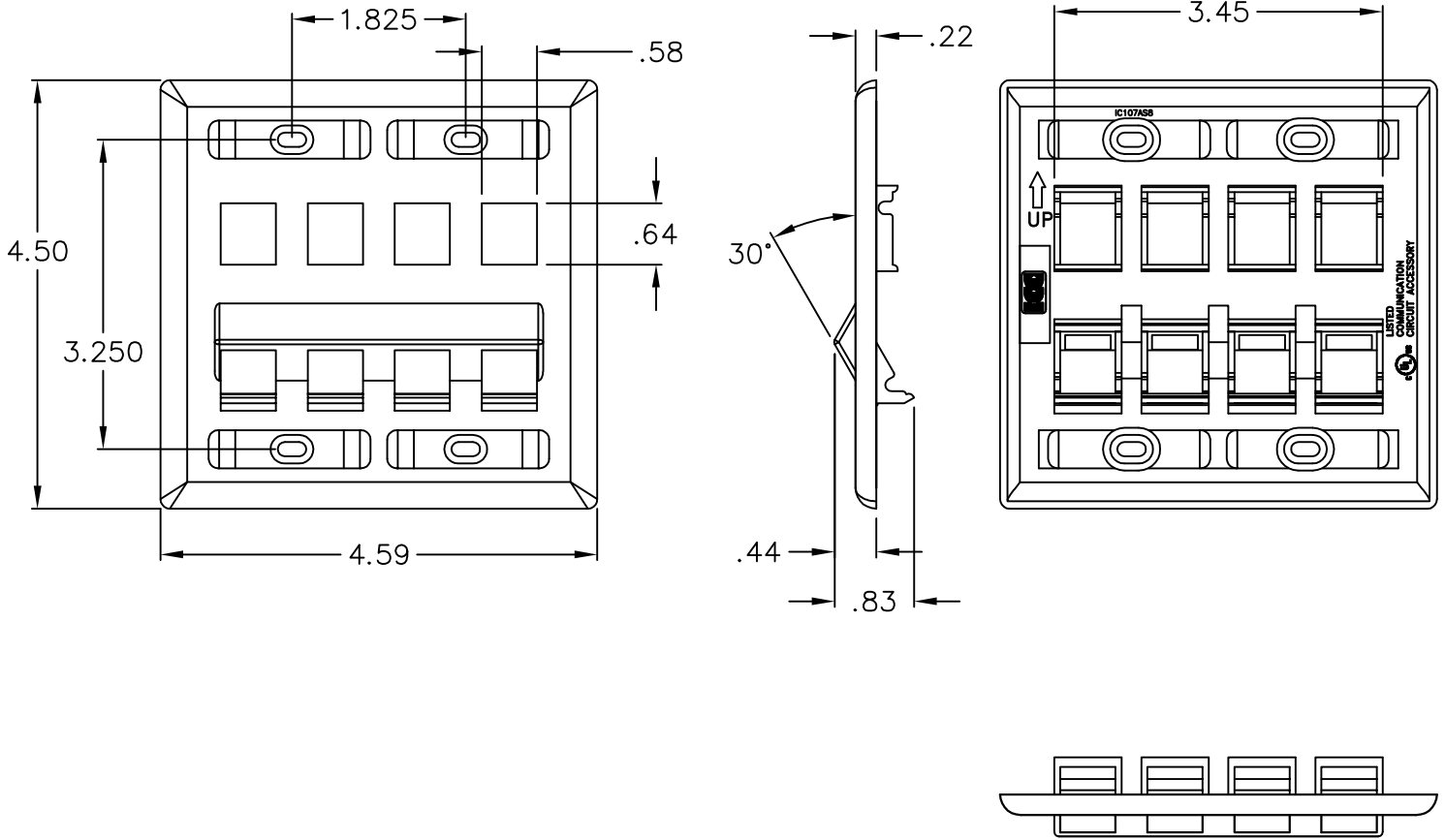
Clear Label Cover

Features and Benefits:

- Configured to fit standard double gang outlet box
- Designed to support the distribution of voice, data, and other communication needs to the work area for commercial or residential applications
- Rugged and durable construction
- Angled opening provides for a low profile and strain relief
- Easy station identification with use of enclosed labels protected by clear plastic covers
- Hidden mounting screws
- Accommodates a wide variety of easy to snap-in modules, providing configuration flexibility
- Accepts all IC107 modules
- Available in ivory and white
- ANSI/TIA-568-C and UL 1863 compliant

FACEPLATE, ID, ANGLED, 2-GANG, 8-PORT			
ITEM NO.	IC107AS8XX		REV. A
DWG NO.	PS107AS800		PAGE NO. 1

CUSTOMER CARE / TECHNICAL SUPPORT * CSR@ICC.COM / 888-ASK-4-ICC (275-4422) * 2100 E. Valencia Dr, Suite D, Fullerton, CA 92831 * www.icc.com



NOTE: UNLESS OTHERWISE SPECIFIED

- 1. MATERIAL: ABS, UL 94V-0
- 2. FINISH: TEXTURE
- 3. COLOR: XX: IV-IVORY & WH-WHITE

UL US FILE NO. 125268

FACEPLATE, ID, ANGLED, 2-GANG, 8-PORT		
ITEM NO.	IC107AS8XX	
DWG NO.	PS107AS800	PAGE NO. 2

CUSTOMER CARE / TECHNICAL SUPPORT * CSR@ICC.COM / 888-ASK-4-ICC (275-4422) * 2100 E. Valencia Dr, Suite D, Fullerton, CA 92831 * www.icc.com