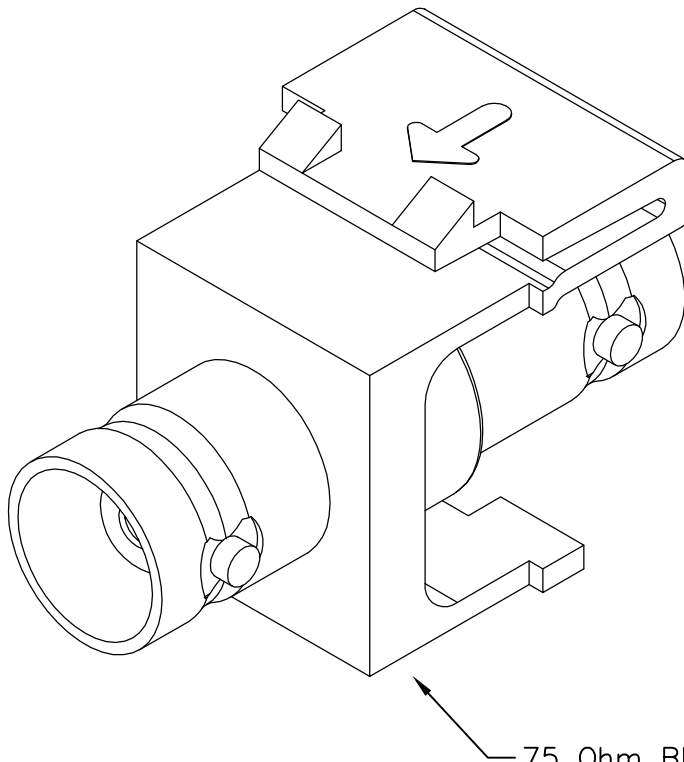


75 Ohm Nickel Plated BNC Female-to-Female Module

PRODUCT SPECIFICATION

Package includes:

A. 75 Ohm BNC Female-to-Female Module, 1 pc



75 Ohm BNC Female-to-Female Module

Features and Benefits:

- Nickel plating for improved performance with superior signal quality with minimal noise
- Gold plated contact for optimal signal output
- Designed for CCTV, serial digital and NTSC analog video signals, satellite up/down link signals, and more
- Provides a clean and neat appearance installation
- Compatible with all IC107 faceplates, inserts, surface mount boxes, and blank patch panels
- Compatible with all IC108 furniture faceplates, bezels, and surface mount boxes
- Housing color available in black, ivory, and white

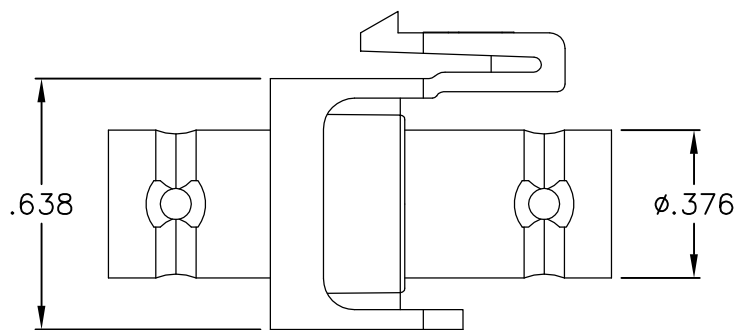
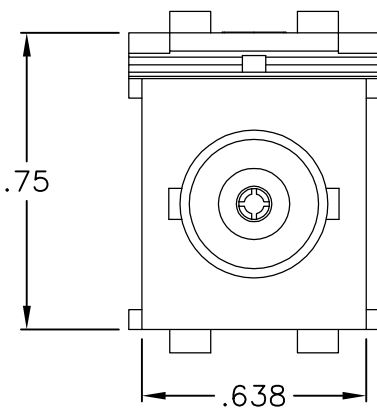
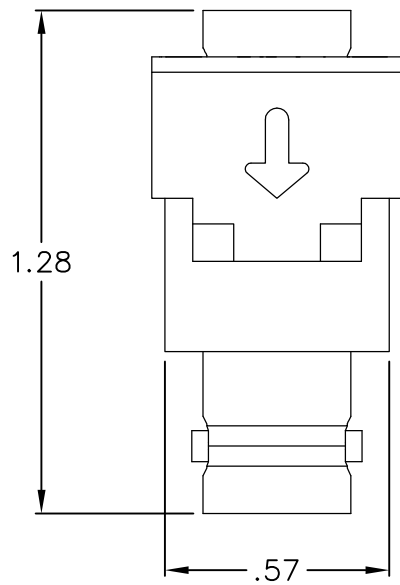
MODULE, BNC, 75 OHM, NICKEL PLATED

ITEM NO. IC107BNCXX
DWG NO. PS107BNC00

REV. C
PAGE NO. 1



CUSTOMER CARE / TECHNICAL SUPPORT * CSR@ICC.COM / 888-ASK-4-ICC (275-4422) * 2100 E. Valencia Dr, Suite D, Fullerton, CA 92831 * www.icc.com



NOTE: UNLESS OTHERWISE SPECIFIED

1. HOUSING:


- A. MATERIAL: ABS
- B. COLOR: XX: BK-BLACK, IV-IVORY, & WH-WHITE

2. 75 OHM BNC FEMALE-TO-FEMALE CONNECTOR:

- A. MATERIAL:
 - CONNECTOR: ZINC ALLOY WITH NICKEL PLATING
 - CENTER DIELECTRIC: DERLIN
 - CONTACT: BRASS WITH FLASH GOLD PLATING

B. ELECTRICAL:

- IMPEDANCE: 75 OHM
- FREQUENCY: 0~4GHz
- VOLTAGE RATING: 500 V RMS
- DIELECTRIC: 1500V RMS

MODULE, BNC, 75 OHM, NICKEL PLATED			
ITEM NO.	IC107BNCXX		REV. C
DWG NO.	PS107BNC00		PAGE NO. 2

CUSTOMER CARE / TECHNICAL SUPPORT * CSR@ICC.COM / 888-ASK-4-ICC (275-4422) * 2100 E. Valencia Dr, Suite D, Fullerton, CA 92831 * www.icc.com