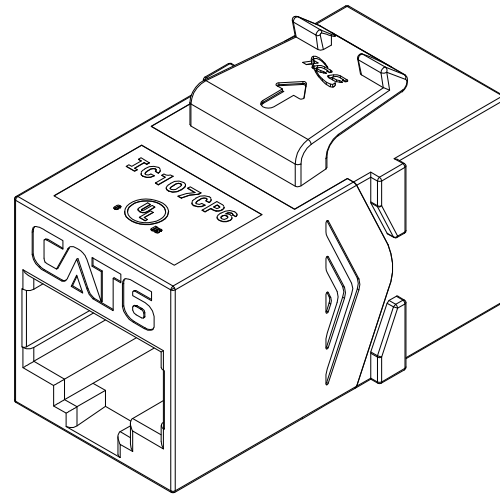
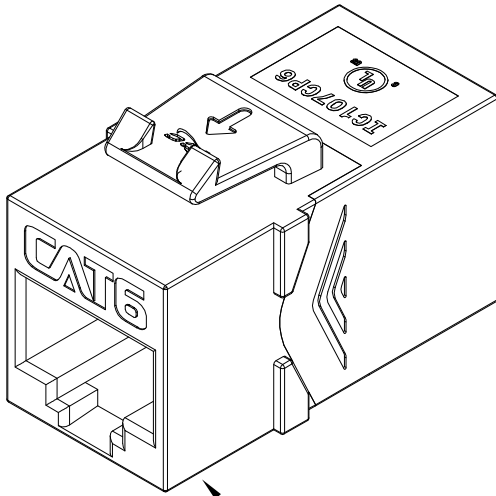


8P8C Category 6 Coupler Module

PRODUCT SPECIFICATION

Package includes:

A. 8P8C Category 6 Coupler Module, 1 pc




CAT 6 Coupler Module

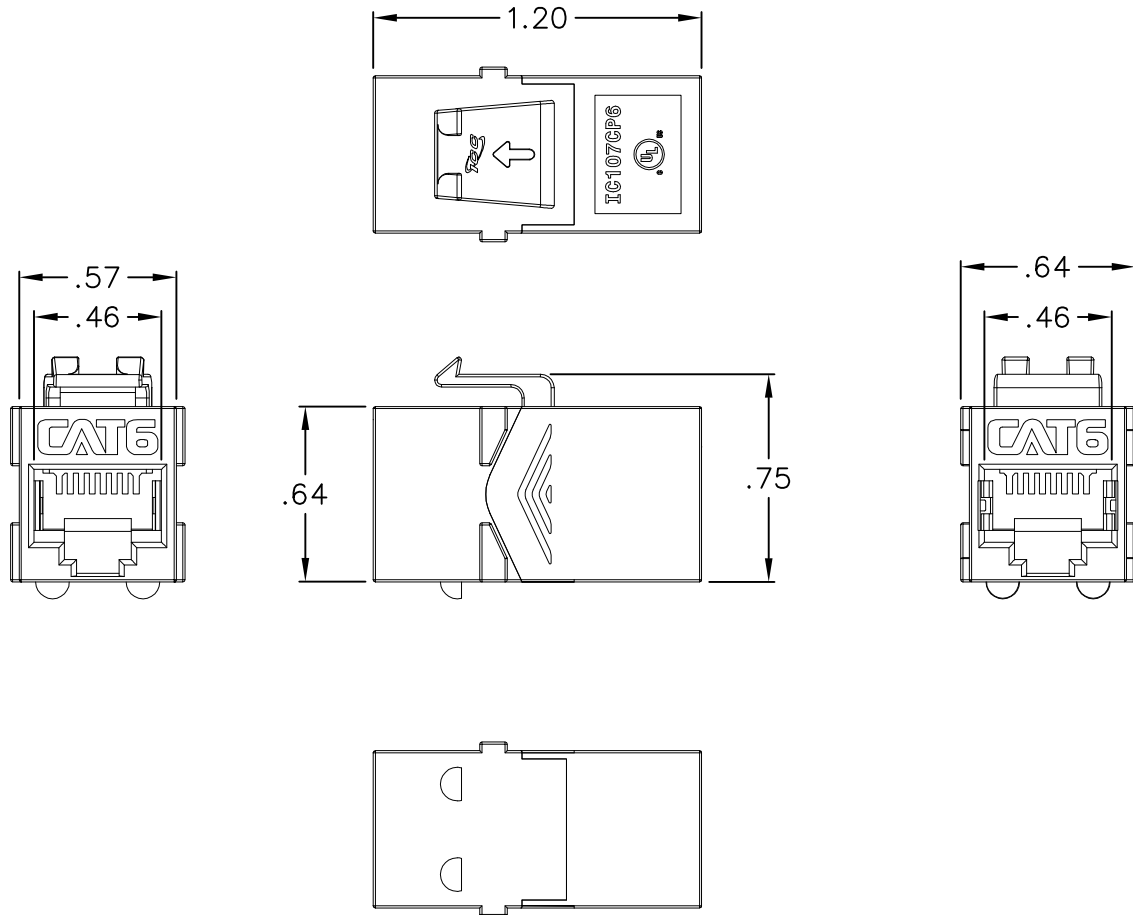
Features and Benefits:

- PCB technology provides maximum performance and superior signal quality
- Enhanced crosstalk cancellation reduces return loss and improves performance by rejecting noise and unwanted signals
- Reduced rear footprint allows for greater connectivity density and provides for more port configurations in a smaller area
- Backwards compatible to all lower rated category components
- Compatible with all IC107 faceplates, inserts, surface mount boxes, and blank patch panels
- Compatible with all IC108 furniture faceplates, bezels, and surface mount boxes
- Used with ICC Category 6 ICPCS6 patch cords
- Available in black and white
- ANSI/TIA-568-C and UL 1863 compliant

MODULE, COUPLER, CAT 6

ITEM NO.	IC107CP6BK	REV.	D	
DWG NO.	PS107CP600	PAGE NO.	1	

CUSTOMER CARE / TECHNICAL SUPPORT * CSR@ICC.COM / 888-ASK-4-ICC (275-4422) * 2100 E. Valencia Dr, Suite D, Fullerton, CA 92831 * www.icc.com



FREQUENCY (MHz)	NEXT (dB)	RETURN LOSS (dB)	ACRF (dB)	INSERTION LOSS (dB)
10.00	56.6	19.0	43.3	6.3
100.00	39.9	12.0	23.3	21.3
200.00	34.8	9.0	17.2	31.5
250.00	33.1	8.0	15.3	35.9

NOTE: UNLESS OTHERWISE SPECIFIED

1. ELECTRICAL:

- A. CURRENT RATING: 1.5 AMPS MAX
- B. VOLTAGE RATING: 150 VOLTS ALTERNATING
- C. DIELECTRIC WITHSTANDING VOLTAGE: 1000 VOLTS RMS, 60 HZ
- D. INSULATION RESISTANCE: > 10 MOHMS

2. MECHANICAL:


- A. MATING FORCE: 5 LBS MAX
- B. UNMATING FORCE: 5 LBS MAX
- C. PLUG RETENTION IN JACK: 20 LBS MIN
- D. DURABILITY: 750 CYCLES

3. MATERIAL & FINISH:

- A. HOUSING: ABS, UL 94V-0
- B. COLOR: BK-BLACK, WH-WHITE
- C. CONTACT: PHOSPHOR BRONZE GOLD PLATING OVER 100 MICRO INCH NICKEL
- D. GOLD PLATING: 1.27 MICRON/50 MICRO INCH MIN

PIN	PIN
1	1
2	2
3	3
4	4
5	5
6	6
7	7
8	8

UL US FILE NO. 125268

MODULE, COUPLER, CAT 6		 Premium Products Proven Performance Competitive Prices	
ITEM NO.	IC107CP6BK		REV. D
DWG NO.	PS107CP600		PAGE NO. 2

CUSTOMER CARE / TECHNICAL SUPPORT * CSR@ICC.COM / 888-ASK-4-ICC (275-4422) * 2100 E. Valencia Dr, Suite D, Fullerton, CA 92831 * www.icc.com