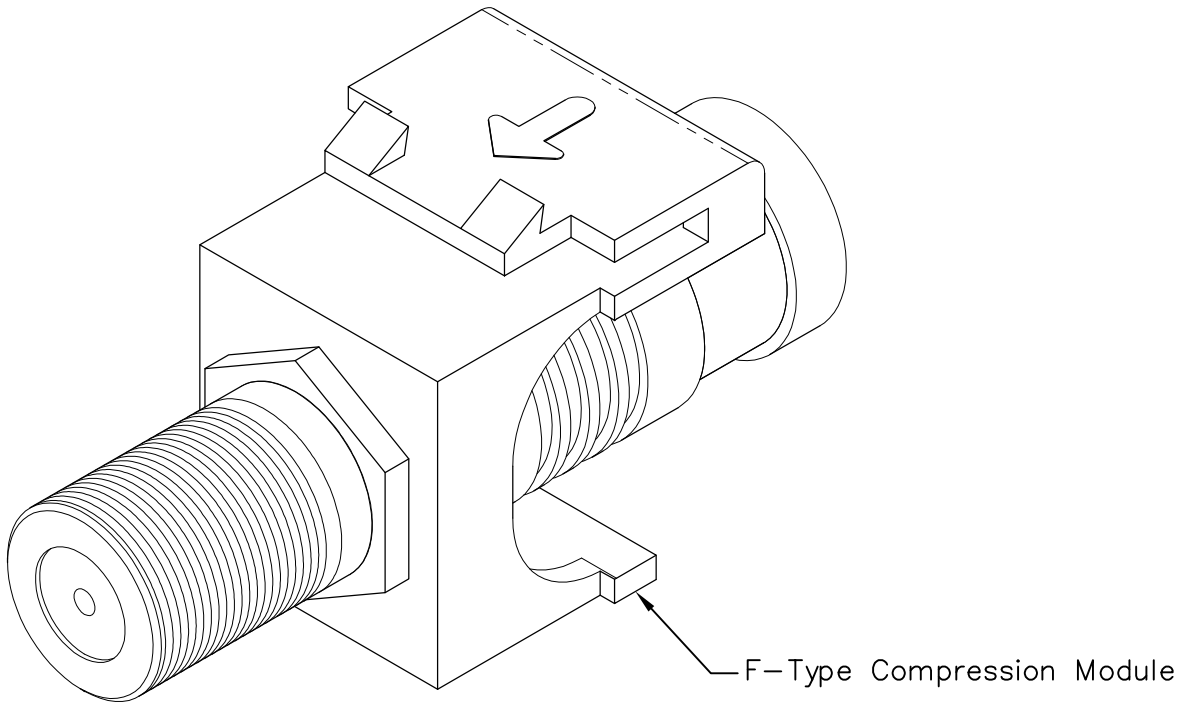


# RG6 Quad F-Type Compression Module

## PRODUCT SPECIFICATION


### Package includes:

A. RG6 Quad F-Type Compression Module, 1 pc

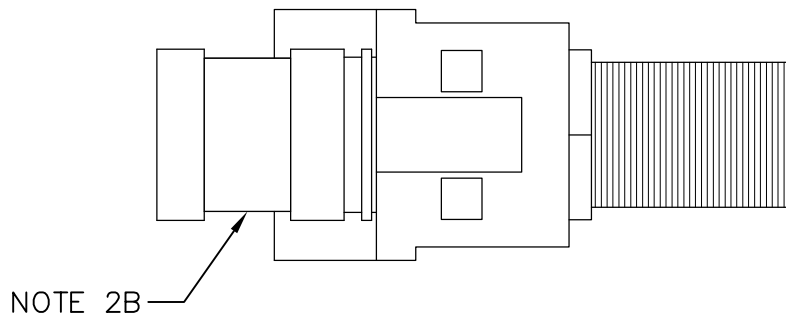
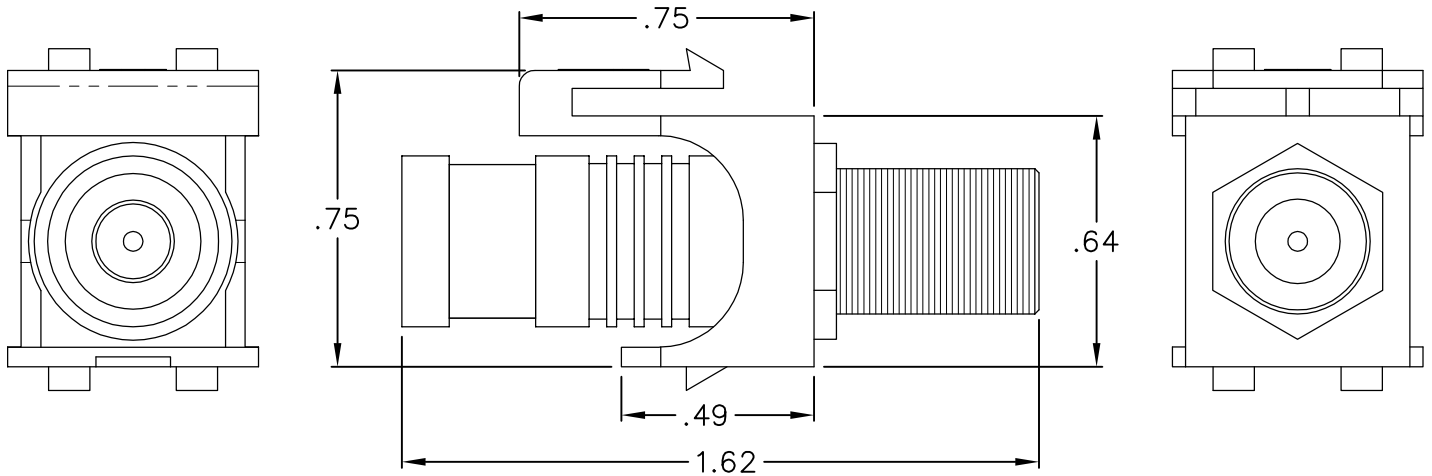
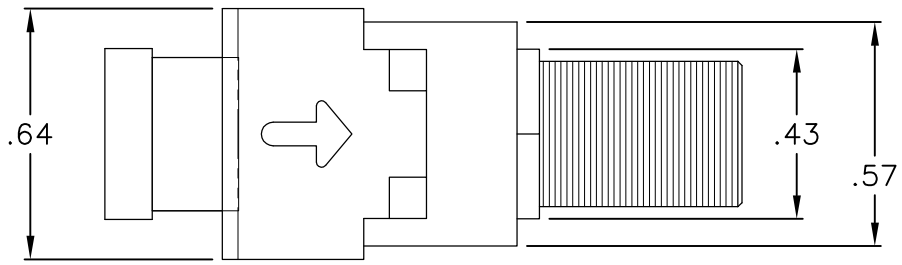


### Features and Benefits:

- Improved performance and minimized signal loss by combining the compression connector and module into one single body
- Designed for RG6 quad shield coaxial cables on the rear side to provide high definition video and superior quality audio performance
- Provides a clean and neat appearance installation
- Compatible with all IC107 faceplates, inserts, surface mount boxes, and blank patch panels
- Compatible with all IC108 furniture faceplates, bezels, and surface mount boxes
- Used with RG6 F-Type patch cords and universal compression tool ICACSC01U
- Available in white


<b>MODULE, CRIMP, F-TYPE, RG6Q</b>			
ITEM NO.	IC107FQGXX		REV. A
DWG NO.	PS107FQG00		PAGE NO. 1

CUSTOMER CARE / TECHNICAL SUPPORT \* CSR@ICC.COM / 888-ASK-4-ICC (275-4422) \*2100 E. Valencia Dr, Suite D, Fullerton, CA 92831 \* icc.com



**NOTE: UNLESS OTHERWISE SPECIFIED**

1. HOUSING:
  - A. MATERIAL: ABS, UL 94V-0
  - B. COLOR: XX: WH-WHITE
2. F-TYPE COMPRESSION CONNECTOR:
  - A. MATERIAL: BRASS AND NICKEL FINISH
  - B. BAND COLOR: BLUE
3. MECHANICAL:
  - A. CABLE APPLICATION: <20 LBS MAX INSERTION
  - B. EQUIPMENT INTERFACE: >10 MATINGS WITHOUT DAMAGE
  - C. PULL FORCE: >40 LBS

<b>MODULE, CRIMP, F-TYPE, RG6Q</b>		 <i>PremiumProducts</i> <i>ProvenPerformance</i> <i>CompetitivePrices</i>	
ITEM NO.	IC107FQGXX		REV. A
DWG NO.	PS107FQG00		PAGE NO. 2

CUSTOMER CARE / TECHNICAL SUPPORT \* CSR@ICC.COM / 888-ASK-4-ICC (275-4422) \*2100 E. Valencia Dr, Suite D. Fullerton, CA 92831 \* icc.com