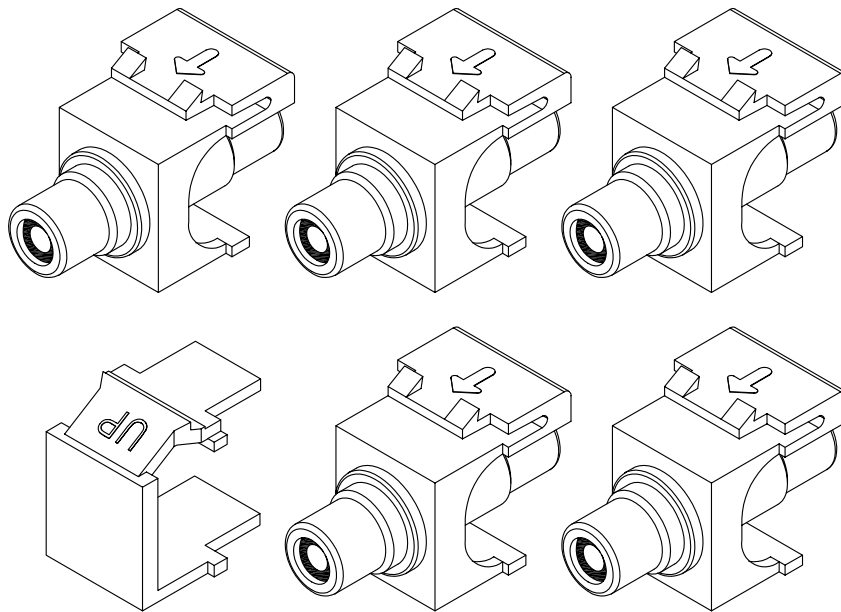


Module, RCA Female, Gold Plated, Component Kit

PRODUCT SPECIFICATION

Package includes:

- A. RCA to RCA, Red Insulator, 2 pcs
- B. RCA to RCA, Green Insulator, 1 pc
- C. RCA to RCA, Blue Insulator, 1 pc
- D. RCA to RCA, White Insulator, 1 pc
- E. Blank Module, 1 pc



Features and Benefits:

- Gold plating for improved performance with superior signal quality with minimal noise
- Used for audio and video applications
- Colored insulators providing for quick and easy identification of the type of signal carried on the circuit, making it easy to separate audio and video signals
- Provides a clean and neat appearance installation
- Compatible with all IC107 faceplates, inserts, surface mount boxes, and blank patch panels
- Compatible with all IC108 furniture faceplates, bezels, and surface mount boxes
- Housing color available in almond, black, ivory, and white

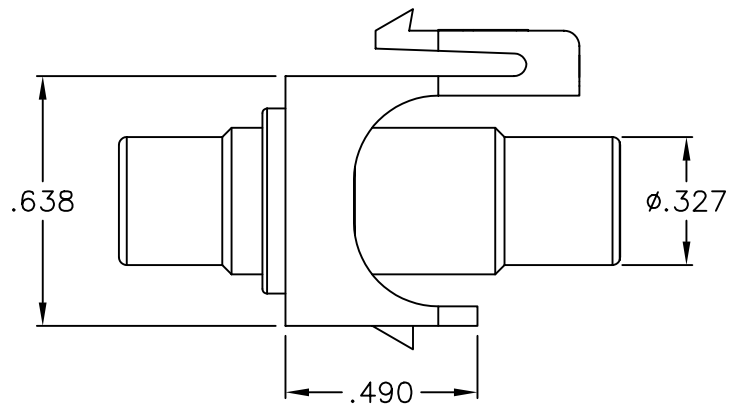
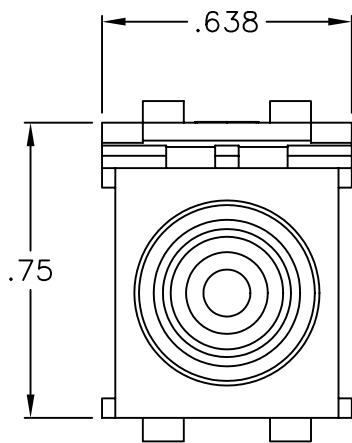
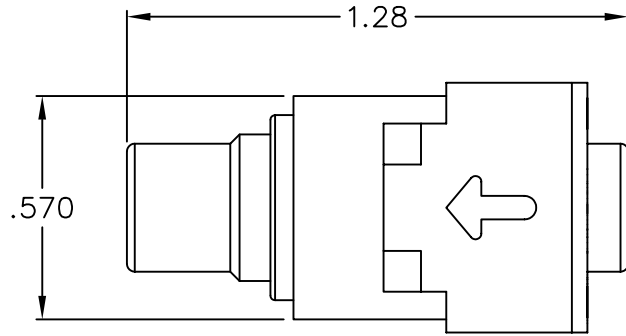
MODULE, RCA FEMALE, GOLD, COMPONENT KIT

ITEM NO.	IC107RR500
DWG NO.	PS107RR500

REV.	D
PAGE NO.	1



CUSTOMER CARE / TECHNICAL SUPPORT * CSR@ICC.COM / 888-ASK-4-ICC (275-4422) * 14700 Alondra Blvd., La Mirada, CA 90638 * www.icc.com



NOTE: UNLESS OTHERWISE SPECIFIED

1. HOUSING:
 - A. MATERIAL: ABS, UL 94V-0
 - B. COLOR: XX: AL-ALMOND, BK-BLACK, IV-IVORY, & WH-WHITE
2. CONNECTOR:
 - A. BODY: BRASS WITH FLASH GOLD PLATED
 - B. INSULATION: ABS
 - C. CONTACT: BRASS WITH FLASH GOLD PLATED
3. ELECTRICAL:
 - A. CONTACT RESISTANCE: 30 MOHM MAX.
 - B. INSULATION RESISTANCE: 100 MOHM MIN @ 500 V DC
 - C. DIELECTRIC STRENGTH: 500 VOLTS FOR ONE MINUTE

MODULE, RCA FEMALE, GOLD, COMPONENT KIT

ITEM NO.	IC107RR500	REV.	D
DWG NO.	PS107RR500	PAGE NO.	2



CUSTOMER CARE / TECHNICAL SUPPORT * CSR@ICC.COM / 888-ASK-4-ICC (275-4422) * 14700 Alondra Blvd., La Mirada, CA 90638 * www.icc.com