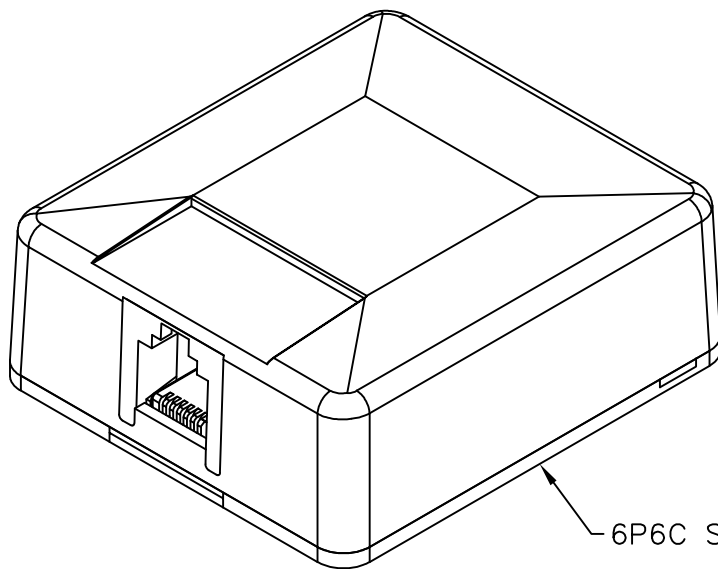


6P6C Surface Mount Jack

PRODUCT SPECIFICATION

Package includes:

- A. Surface Mount Jack Cover, 1 pc
- B. Surface Mount Jack Base, 1 pc
- C. Double Sided Adhesive Pad, 1 pc
- E. #6 x 3/4" Pan Head, Sharp Point Tapping Screw, 2 pcs



6P6C Surface Mount Jack

Features and Benefits:

- Provides a clean modular surface mount outlet solution for voice connectivity applications
- Designed to support a multitude of high tech communication needs for residential or commercial applications
- Provided with traditional screw down terminals
- Multiple mounting options including adhesive backing and screws
- Rugged and durable construction
- Available in ivory and white
- ANSI/TIA-568-C and UL 1863 compliant

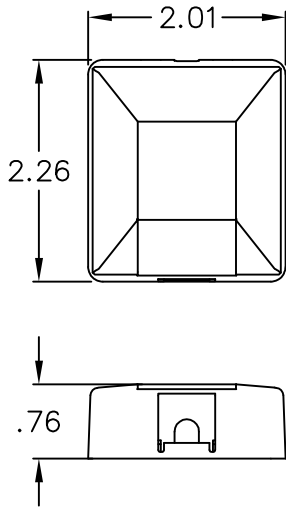
SURFACE MOUNT JACK, 6P6C

| | |
|----------|------------|
| ITEM NO. | IC625SB6XX |
| DWG NO. | PS625SB600 |

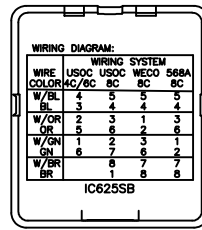
| | |
|----------|---|
| REV. | A |
| PAGE NO. | 1 |



CUSTOMER CARE / TECHNICAL SUPPORT * CSR@ICC.COM / 888-ASK-4-ICC (275-4422) * 2100 E. Valencia Dr, Suite D, Fullerton, CA 92831 * www.icc.com

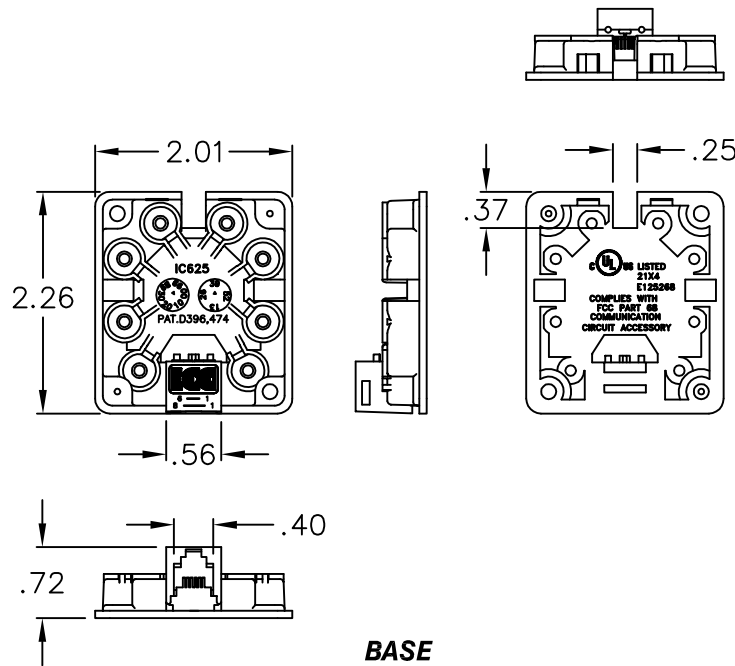


COVER



WIRING DIAGRAM:

| POSITION | WIRE COLOR |
|----------|------------|
| 1 | WHITE |
| 2 | BLACK |
| 3 | RED |
| 4 | GREEN |
| 5 | YELLOW |
| 6 | BLUE |



BASE

NOTE: UNLESS OTHERWISE SPECIFIED

1. MATERIAL:

- A. SURFACE MOUNT JACK HOUSING: ABS, UL94V-0
 - B. SPRING WIRE CONTACTS: PHOSPHOR BRONZE GOLD PLATING OVER 100 MICRO INCH NICKEL
 - C. GOLD PLATING: 1.27 MICRON/50 MICRO INCH MIN
 - D. WIRE LEADS: 26 AWG STRANDED WIRE
 - E. TERMINATION SCREWS: 15 LBS/INCH MIN TORQUE ZINC CHROMATIC PLATED STEEL
 - F. TERMINAL LUGS: BRASS
2. COLOR: XX: IV-IVORY & WH-WHITE


3. MECHANICAL:

- A. TOTAL MATING FORCE: 750 GRAMS
- B. RETENTION: 17 LBS BETWEEN JACK AND PLUG
- C. CRIMP TENSILE STRENGTH: 4.0-500 LBS

4. ELECTRICAL:

- A. CURRENT RATING: 1.5 AMP MAX
- B. DIELECTRIC WITHSTANDING VOLTAGE: 1,000 VOLTS RMS, 60 HZ
- C. CONTACT RESISTANCE < 20 MILLIOHMS
- D. INSULATION RESISTANCE > 10 MEGAOHMS

UL US FILE NO. 125268

| SURFACE MOUNT JACK, 6P6C | |  Premium Products Proven Performance Competitive Prices |
|---------------------------------|------------|---|
| ITEM NO. | IC625SB6XX | |
| DWG NO. | PS625SB600 | PAGE NO. 2 |

CUSTOMER CARE / TECHNICAL SUPPORT * CSR@ICC.COM / 888-ASK-4-ICC (275-4422) * 2100 E. Valencia Dr, Suite D, Fullerton, CA 92831 * www.icc.com