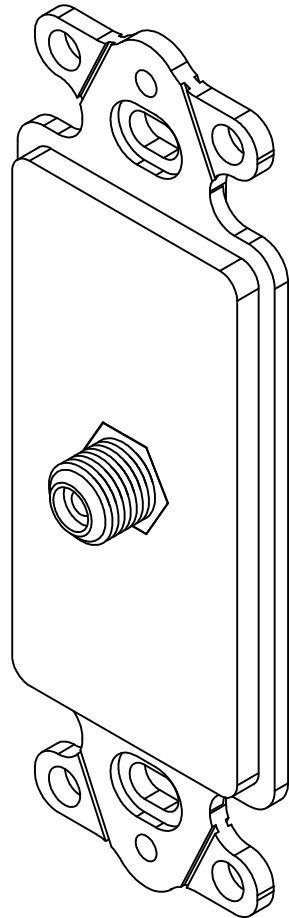


F-Type Decorex Insert

PRODUCT SPECIFICATION



Package includes:

- A. F-Type Decorex Insert, 1 pc
- B. #6-32 x 3/4" Pan Head Machine Screw, 2 pcs

F-Type Decorex Insert

Features and Benefits:

- Gold plating for improved performance with superior signal quality with minimal noise
- Used for audio and video applications
- Designed to use with both RG6 and RG59 coaxial cables on the rear side
- Rear threaded F-Type connector for secure in-wall connections
- Fits standard NEMA electrical boxes
- Designed for a consistent look with standard decorator style faceplates
- Compatible with all IC107 Decorex faceplates
- Available in ivory, almond, and white
- ANSI/TIA-568-C and UL 1863 compliant

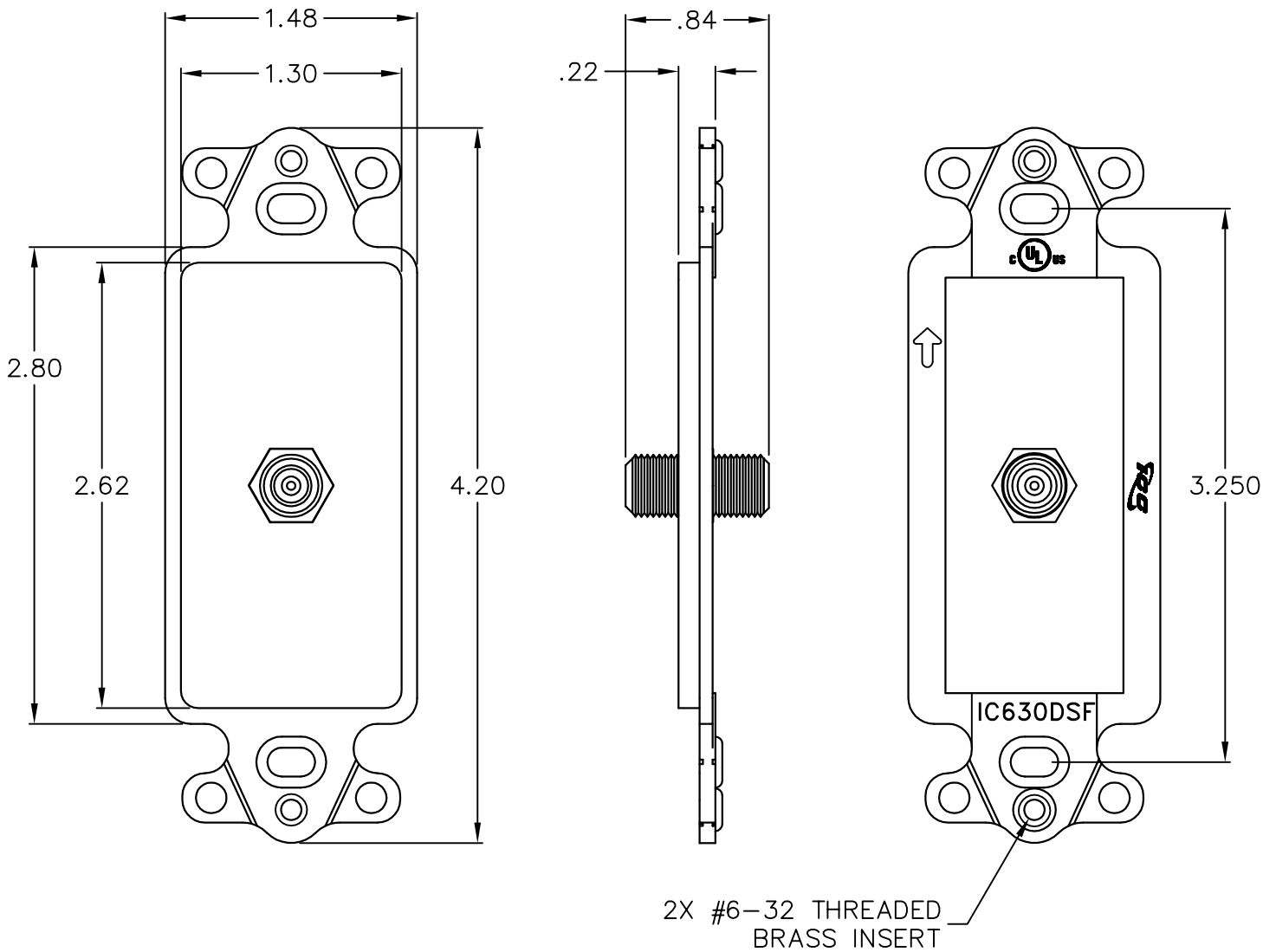
INSERT, DECOREX, F-TYPE

ITEM NO.	IC630DSFXX
DWG NO.	PS630DSF00

REV.	B
PAGE NO.	1



CUSTOMER CARE / TECHNICAL SUPPORT * CSR@ICC.COM / 888-ASK-4-ICC (275-4422) * 2100 E. Valencia Dr, Suite D, Fullerton, CA 92831 * www.icc.com



NOTE: UNLESS OTHERWISE SPECIFIED

1. HOUSING:

- A. MATERIAL: ABS, UL 94V-0
- B. FINISH: GLOSSY
- C. COLOR: XX: AL-ALMOND, IV-IVORY, & WH-WHITE

2. F-TYPE FEMALE-TO-FEMALE CONNECTOR:

A. MECHANICAL

- MATERIAL: BRONZE WITH 3 MICRON GOLD PLATING
- HOLDING FORCE > 80 GRAMS
- F-TYPE CONNECTOR THREADS: 3/8-32 UNEF-2A

B. ELECTRICAL:

- RETURN LOSS OF -20 dB MAX
- FREQUENCY RANGE DC -1.5 GHZ
- CONTACT RESISTANCE < 10 MOHM
- INSULATION RESISTANCE > 5000 MOHM
- INSERTION LOSS < 0.3 dB

UL US FILE NO. 125268

INSERT, DECOREX, F-TYPE

ITEM NO. IC630DSFXX
 DWG NO. PS630DSF00

REV. B
 PAGE NO. 2



CUSTOMER CARE / TECHNICAL SUPPORT * CSR@ICC.COM / 888-ASK-4-ICC (275-4422) * 2100 E. Valencia Dr, Suite D, Fullerton, CA 92831 * www.icc.com