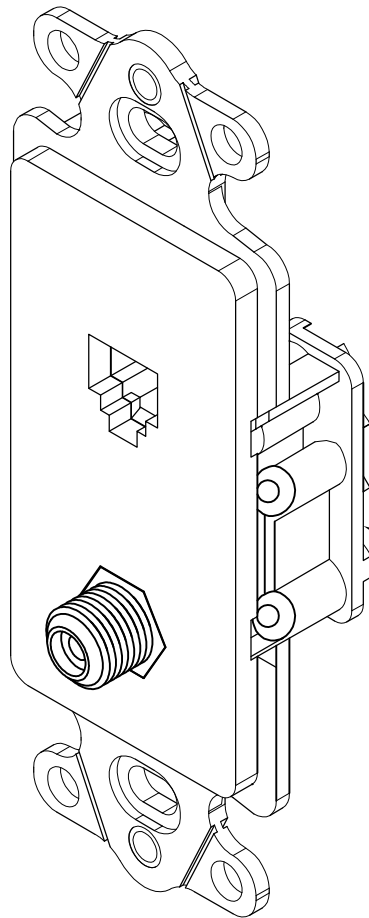


6P6C RJ-11 Voice & F-Type Decorex Insert

PRODUCT SPECIFICATION



Package includes:

- A. 6P6C Voice & F-Type Decorex Insert, 1 pc
- B. #6-32 x 3/4" Pan Head Machine Screw, 2 pcs

6P6C Voice & F-Type Decorex Insert

Features and Benefits:

- Designed for all voice connectivity, audio, and video applications
- Gold plated F-Type connector for improved performance with superior signal quality with minimal noise
- Designed to support a multitude of high tech communication needs with contemporary styling for residential or commercial applications
- Provided with traditional screw down terminals for voice connectivity on the rear
- Designed to use with both RG6 and RG59 coaxial cables on the rear side
- Rear threaded F-Type connector for secure in-wall connections
- Fits standard NEMA electrical boxes
- Designed for a consistent look with standard decorator style faceplates
- Compatible with all IC107 Decorex faceplates
- Used with ICC ICLC4 and ICLC6 line cords
- Available in almond, ivory, and white
- ANSI/TIA-568-C and UL 1863 compliant

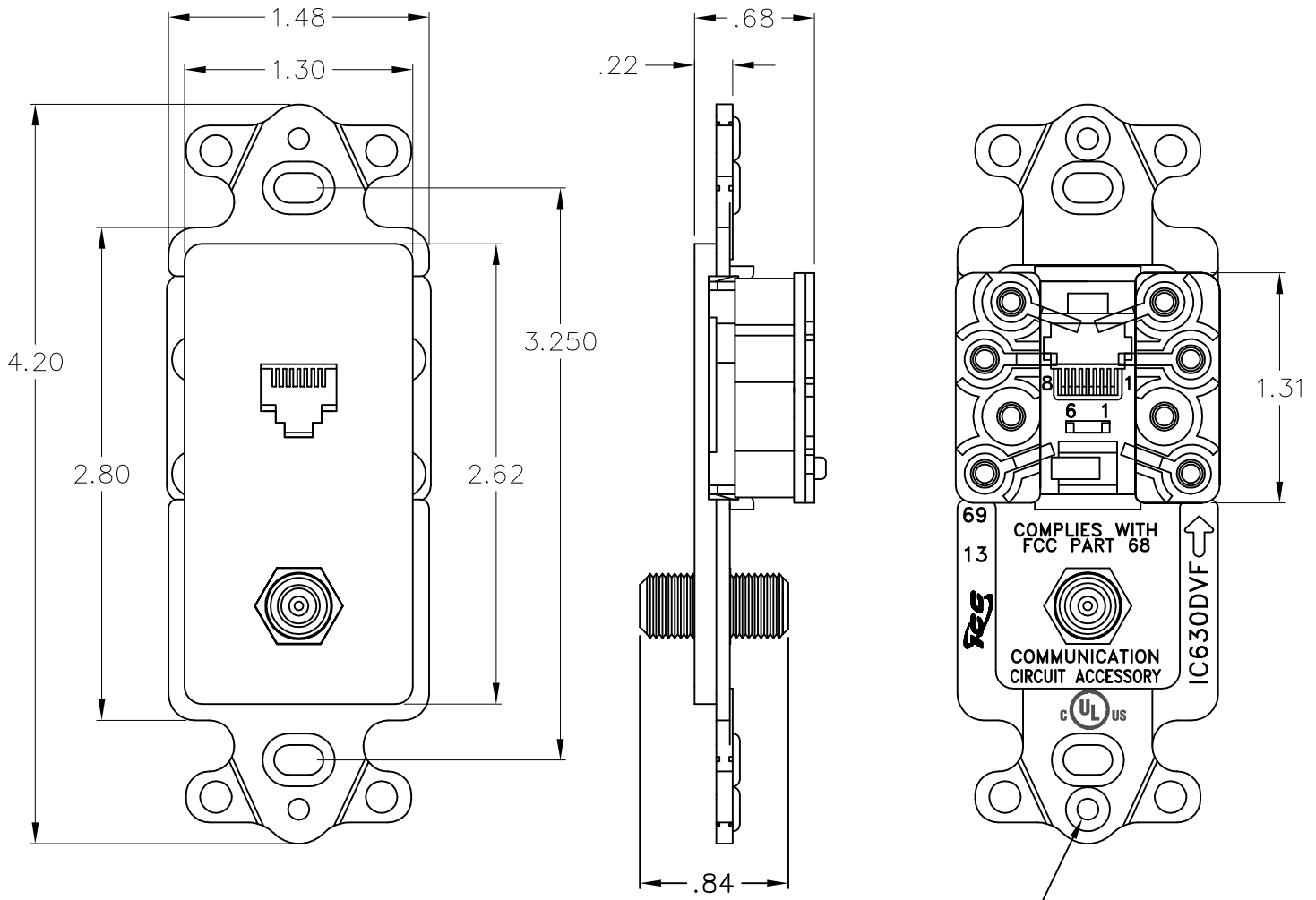
INSERT, DECOREX, 6P6C VOICE & F-TYPE

ITEM NO.	IC630DVFXX
DWG NO.	PS630DVF00

REV.	A
PAGE NO.	1



CUSTOMER CARE / TECHNICAL SUPPORT * CSR@ICC.COM / 888-ASK-4-ICC (275-4422) * 2100 E. Valencia Dr, Suite D, Fullerton, CA 92831 * www.icc.com



2X #6-32 THREADED BRASS INSERT

NOTE: UNLESS OTHERWISE SPECIFIED

1. HOUSING:

- A. MATERIAL: ABS, UL 94V-0
- B. FINISH: GLOSSY
- C. COLOR: XX: AL-ALMOND, IV-IVORY, & WH-WHITE

2. WIRING BLOCK:

- A. MATERIAL & FINISH:
 - HOUSING: ABS, UL 94V-0
 - SPRING WIRE CONTACTS: PHOSPHOR BRONZE GOLD PLATING OVER 100 MICRO INCH NICKEL
 - GOLD PLATING: 1.27 MICRON/50 MICRO INCH MIN
 - WIRE LEADS: 26 AWG STRANDED WIRE
 - TERMINATION SCREWS: #6-20 X .415 FLAT PAN HEAD TAPPING SCREWS WITH TWO WASHERS 15 LBS/INCH MIN TORQUE ZINC CHROMATIC PLATED STEEL
 - TERMINATION LUGS: BRASS

B. ELECTRICAL:

- CURRENT RATING: 1.5 AMP MAX
- DIELECTRIC WITHSTANDING VOLTAGE: 1,000 VOLTS RMS, 60 Hz
- CONTACT RESISTANCE: < 20 MILLIOHMS
- INSULATION RESISTANCE: > 10 MEGAOHMS
- PERFORMANCE: RETURN LOSS OF -20 dB MAX FREQUENCY RANGE DC -1.5 GHz

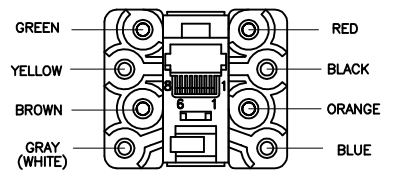
C. MECHANICAL:

- TOTAL MATING FORCE: 500 GRAMS FOR 6 WIRES LEAD
- RETENTION: 17 LBS BETWEEN JACK AND PLUG
- CRIMP TENSILE STRENGTH: 4.0-500 LBS

3. F-TYPE FEMALE-TO-FEMALE CONNECTOR:

- A. MECHANICAL:
 - MATERIAL: BRONZE WITH 3 MICRON GOLD PLATING
 - HOLDING FORCE > 80 GRAMS
 - F-TYPE CONNECTOR THREADS: 3/8-32 UNEF-2A
- B. ELECTRICAL:
 - RETURN LOSS OF -20 dB MAX
 - FREQUENCY RANGE DC -1.5 GHz
 - CONTACT RESISTANCE < 10 MOHM
 - INSULATION RESISTANCE > 5000 MOHM
 - INSERTION LOSS < 0.3 dB

REAR VIEW



WIRING DIAGRAM

JACK POSITION	WIRE COLOR
1	WHITE
2	BLACK
3	RED
4	GREEN
5	YELLOW
6	BLUE

UL US FILE NO. 125268

INSERT, DECOREX, 6P6C VOICE & F-TYPE		ICC <i>Premium Products</i> <i>Proven Performance</i> <i>Competitive Prices</i>	
ITEM NO.	IC630DVFX		REV. A
DWG NO.	PS630DVFO0	PAGE NO.	2

CUSTOMER CARE / TECHNICAL SUPPORT * CSR@ICC.COM / 888-ASK-4-ICC (275-4422) * 2100 E. Valencia Dr, Suite D, Fullerton, CA 92831 * www.icc.com