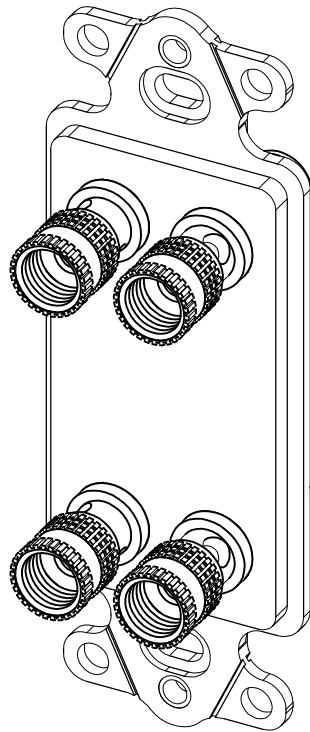


# 4 Binding Post Decorex Insert

## PRODUCT SPECIFICATION

### Package includes:

- A. 4 Binding Post Decorex Insert, 1 pc
- B. #6-32 x 3/4" Pan Head Machine Screw, 2 pcs



4 Binding Post Decorex Insert

### Features and Benefits:

- Gold plating for optimum connection quality and exceptional performance
- Binding posts accept up to 8 AWG multi-stranded audio wire or banana plugs to allow ample current flow to high wattage speakers providing superior fidelity sound
- Easy installation with a set-screw connection for incoming up to 8 AWG audio cable on the rear side
- Angled front and rear wire inserts for easy speaker wire termination
- Supplied with red and black bands for easy polarity identification
- Ideal for individual room speakers
- Fits standard NEMA electrical boxes
- Provides a professional finished look
- Compatible with all IC107 Decorex faceplates
- Available in almond, ivory, and white
- ANSI/TIA-568-C and UL 1863 compliant

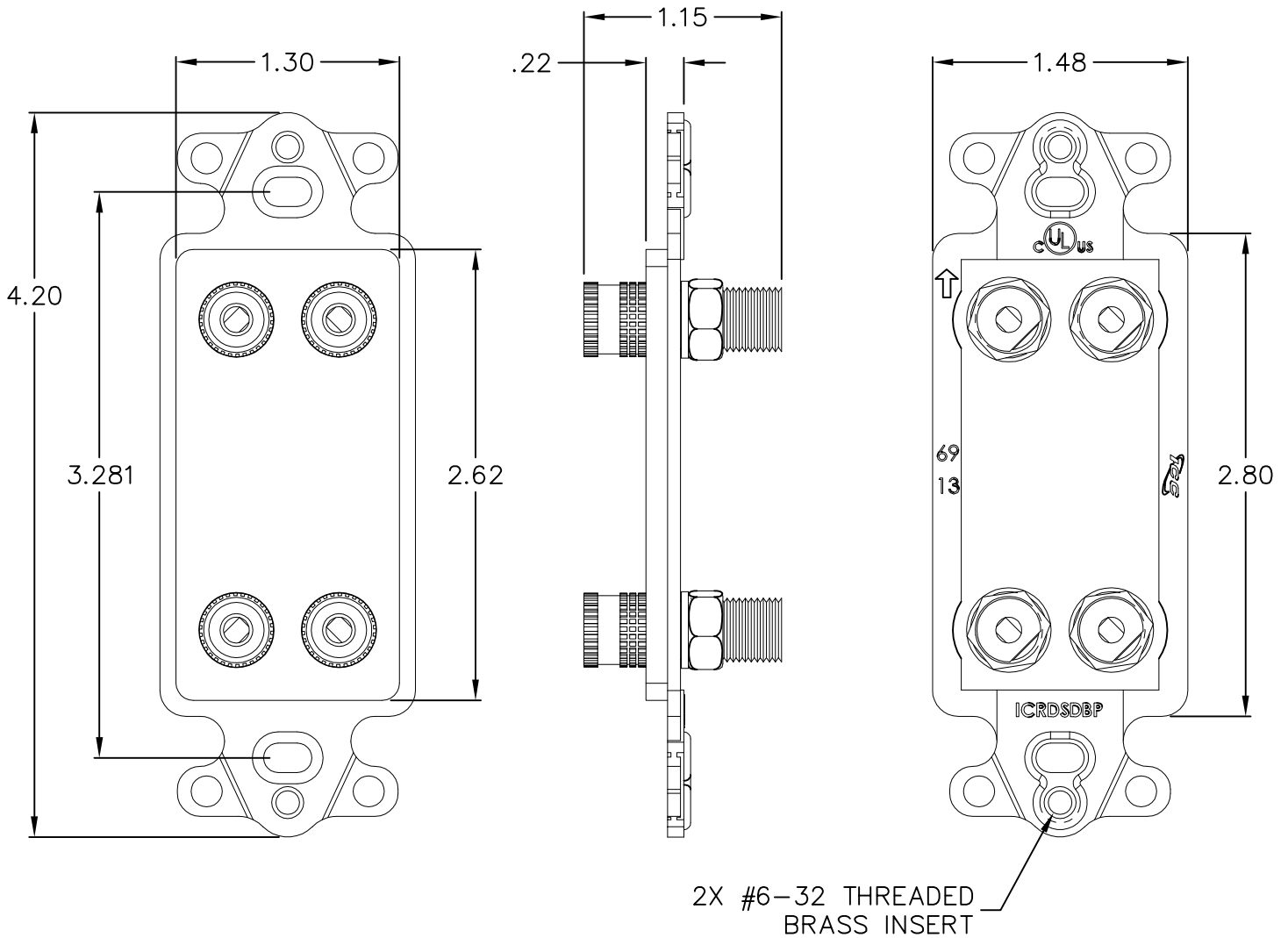
### INSERT, DECOREX, 4 BINDING POST

ITEM NO.	ICRDSDBPXX
DWG NO.	PSRDSDBP00

REV.	A
PAGE NO.	1



CUSTOMER CARE / TECHNICAL SUPPORT \* CSR@ICC.COM / 888-ASK-4-ICC (275-4422) \* 2100 E. Valencia Dr, Suite D, Fullerton, CA 9283 \* www.icc.com



**NOTE: UNLESS OTHERWISE SPECIFIED**


1. HOUSING:

- A. MATERIAL: ABS, UL 94V-0
- B. FINISH: GLOSSY
- C. COLOR: XX: AL-ALMOND, IV-IVORY & WH-WHITE

2. BINDING POST:

- A. MATERIAL: BRASS WITH 3 MICRON GOLD PLATING
- B. POLARITY BAND COLOR: 2 BLACK, 2 RED

UL US FILE NO. 125268

<b>INSERT, DECOREX, 4 BINDING POST</b>		 <b>Premium Products</b> <i>Proven Performance</i> <i>Competitive Prices</i>	
ITEM NO.	ICRDSBPXX		REV. A
DWG NO.	PSRDSBP00	PAGE NO.	2

CUSTOMER CARE / TECHNICAL SUPPORT \* CSR@ICC.COM / 888-ASK-4-ICC (275-4422) \* 2100 E. Valencia Dr, Suite D, Fullerton, CA 9283 \* www.icc.com