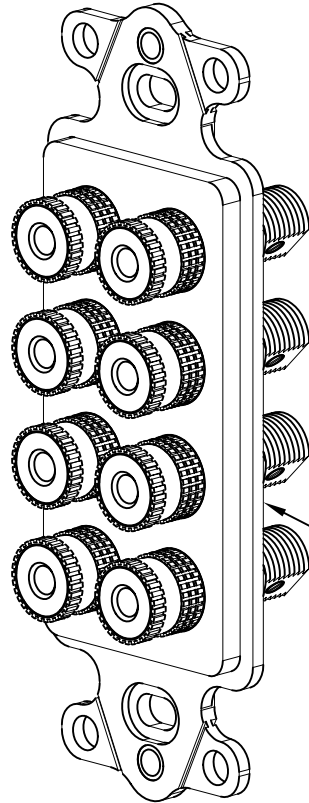


8 Binding Post Decorex Insert

PRODUCT SPECIFICATION



Package includes:

- A. 8 Binding Post Decorex Insert, 1 pc
- B. #6-32 x 3/4" Pan Head Machine Screw, 2 pcs

8 Binding Post Decorex Insert

Features and Benefits:

- Gold plating for optimum connection quality and exceptional performance
- Binding posts accept up to 8 AWG multi-stranded audio wire or banana plugs to allow ample current flow to high wattage speakers providing superior fidelity sound
- Easy installation with a set-screw connection for incoming up to 8 AWG audio cable on the rear side
- Angled front and rear wire inserts for easy speaker wire termination
- Supplied with red and black bands for easy polarity identification
- Supports 5.1 to 7.1 surround sound audio systems
- Fits standard NEMA electrical boxes
- Provides a professional finished look
- Compatible with all IC107 Decorex faceplates
- Available in almond, ivory, and white
- UL listed

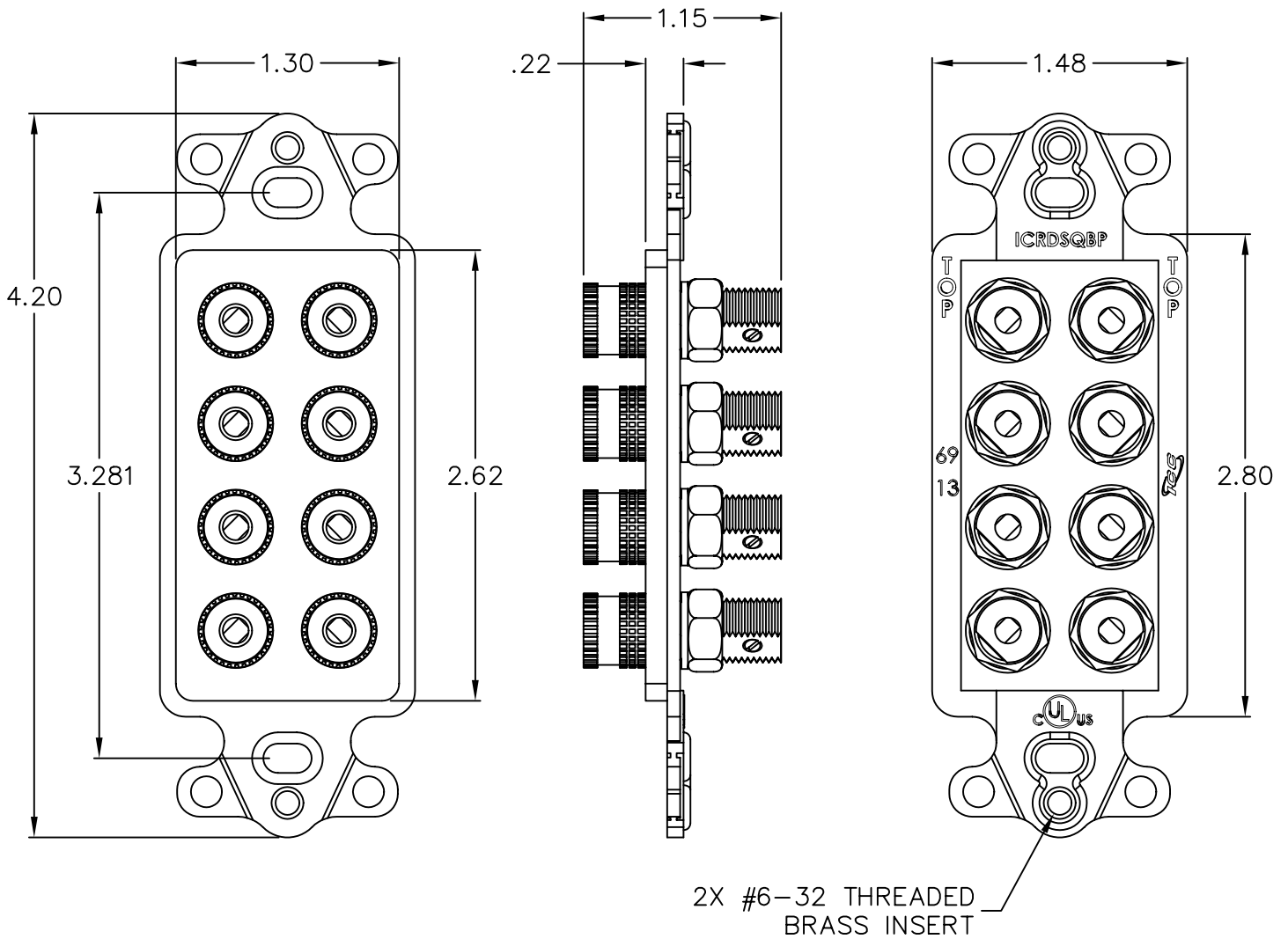
INSERT, DECOREX, 8 BINDING POST

ITEM NO.	ICRDSQBPXX
DWG NO.	PSRDSQB00

REV.	A
PAGE NO.	1



CUSTOMER CARE / TECHNICAL SUPPORT * CSR@ICC.COM / 888-ASK-4-ICC (275-4422) * 14700 Alondra Blvd., La Mirada, CA 90638 * www.icc.com



NOTE: UNLESS OTHERWISE SPECIFIED

1. HOUSING:

- A. MATERIAL: ABS, UL 94V-0
- B. FINISH: GLOSSY
- C. COLOR: XX: AL-ALMOND, IV-IVORY, & WH-WHITE

2. BINDING POST:

- A. MATERIAL: BRASS WITH 3 MICRON GOLD PLATING
- B. POLARITY BAND COLOR: 4 BLACK, 4 RED

UL US FILE NO. 125268

INSERT, DECOREX, 8 BINDING POST

ITEM NO.	ICRDSQBPXX	REV.	A	
DWG NO.	PSRDSQBP00	PAGE NO.	2	

CUSTOMER CARE / TECHNICAL SUPPORT * CSR@ICC.COM / 888-ASK-4-ICC (275-4422) * 14700 Alondra Blvd., La Mirada, CA 90638 * www.icc.com