



Residential Cabling Solutions

Deluxe Series Video Splitter Modules

INSTALLATION INSTRUCTIONS

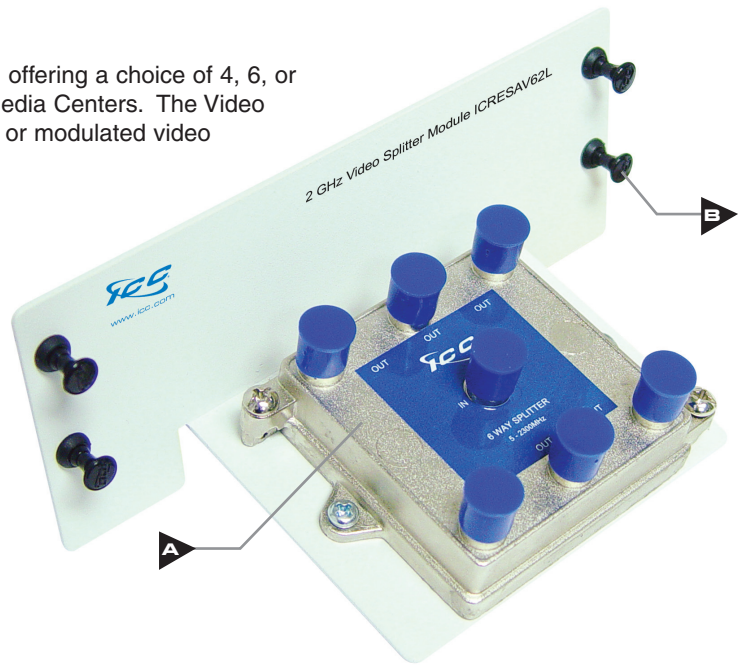
Video Splitter Modules

2 GHz Video Splitters can support up to eight locations, offering a choice of 4, 6, or 8-ports, and are designed for installation in ICC's Net.Media Centers. The Video Splitters receive and distribute CATV, antenna, satellite, or modulated video signals up to eight analog or digital television sets.

ICRESAV42L
ICRESAV62L
ICRESAV82L

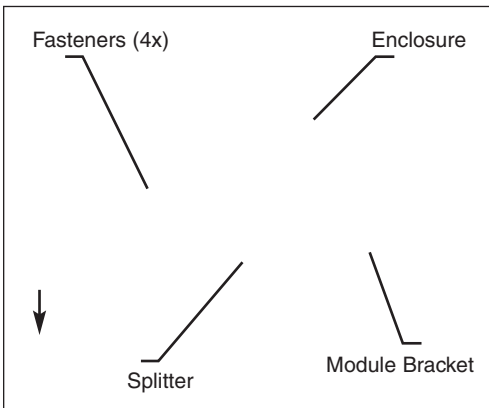
INCLUDES:

- A** 2 GHz Video Splitter, 1 piece
- B** Fasteners, 4 pieces



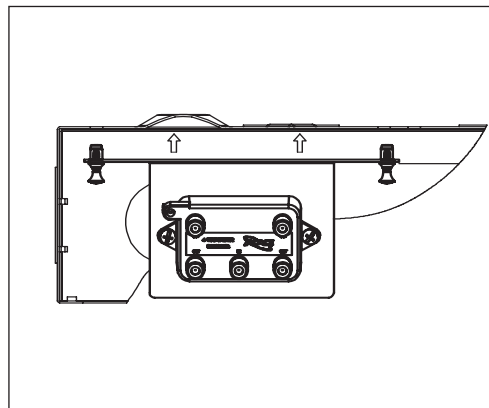
ASSEMBLY INSTRUCTIONS

Step 1.



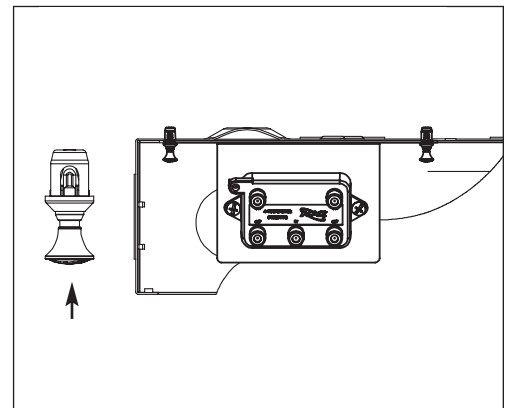
1. Place module horizontally and align fasteners with the peg board. Make sure the fasteners are **NOT** in locked positions.

Step 2.



2. Push the module so that the fasteners go into the peg board of the enclosure.

Step 3.



3. Once module bracket is in the desired location, push the fasteners to their lock position.

CUSTOMER CARE / TECHNICAL SUPPORT • CSR@ICC.COM / 888-275-4422 (ASK-4-ICC)

ASSEMBLY INSTRUCTIONS

Step 4.

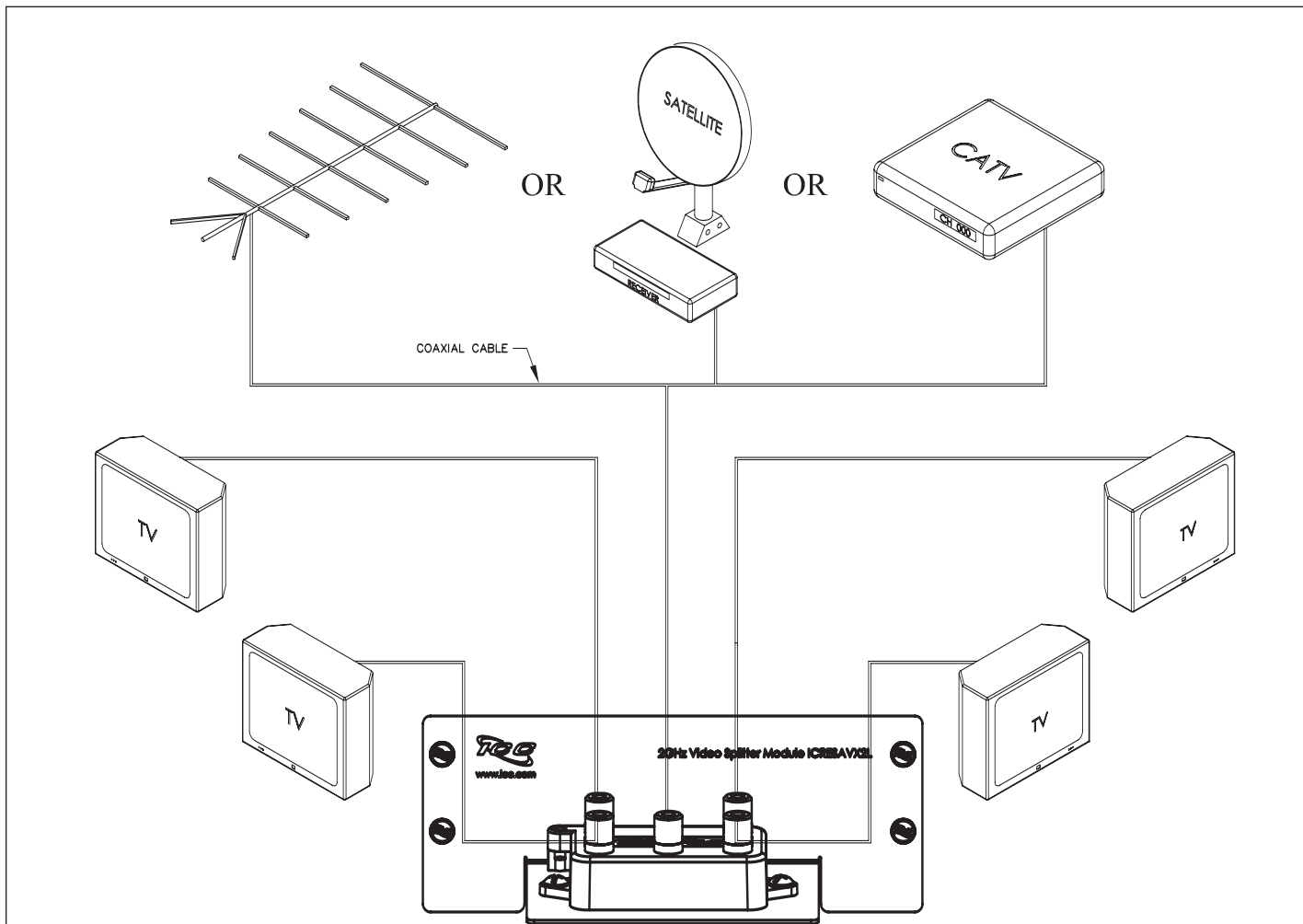
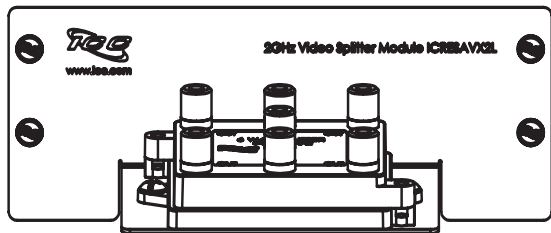
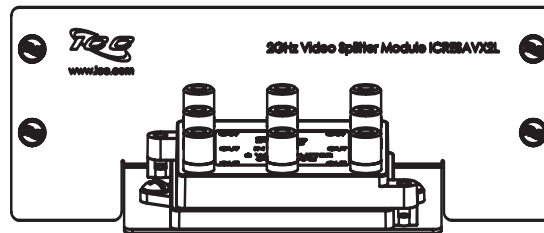


FIG 3.
Video Splitter Setup

ALSO AVAILABLE



2 GHz 1 X 6 Video Splitter Module - ICRESAV62L



2 GHz 1 X 8 Video Splitter Module - ICRESAV82L

4. Prepare an incoming coaxial cable and outgoing coaxial cable by using ICC's coax cable stripper tool (ICACSCSCTV), All-in-One Universal Compression tool (ICACSCCT01U), and F-type compression connectors (ICRDSAV01F for RG-6, and ICRDSAV04F for RG-6 Quad-Shield). Connect the incoming cable to the "IN" port of the splitter and the outgoing coaxial cables to the "OUT" ports. The "OUT" ports route the video signal to each location.