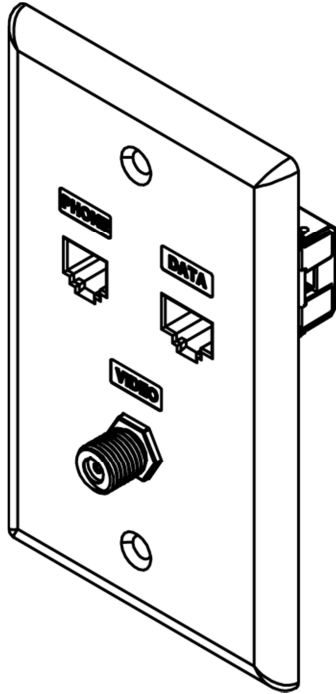


## Faceplate, IDC, Voice/Data/F-Type

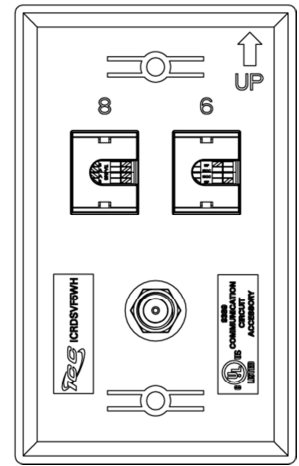
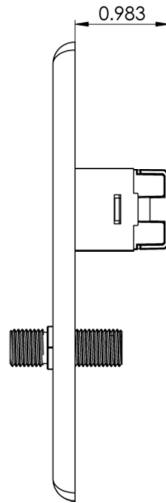
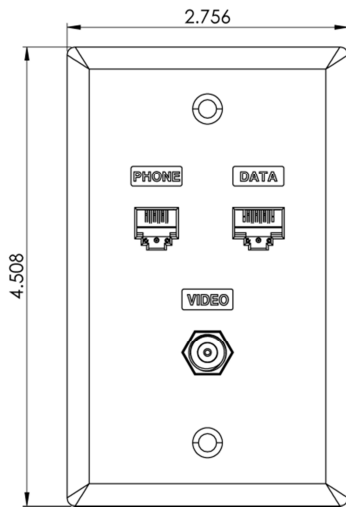


### Package Include:

- A. Voice, Data, & F-Type Integrated Faceplate, **1 Piece**
- B. IDC Cap, **2 Piece**
- C. #6-32 x 3/4" Oval Head, Countersink, Deep Slotted Drive, Machine Screw, **2 Piece**

### Features and Benefits

- Provides an integrated one-piece solution for CAT 5e data, voice, and video applications
- IDC (insulation displacement connection) contacts are designed for repeated 110 terminations providing long-lasting performance and reliability
- 3GHz Nickel Plated F-Type connector for improved performance with superior signal quality with minimal noise
- Quick and easy installation with integrated color coded wiring diagrams requiring no additional assembly
- Embossed port labels to eliminate the need for additional labeling or identification creating a cleaner appearance
- Rugged and durable construction
- Includes IDC caps to ensure the terminated wiring is secure
- ANSI/TIA-568-C and UL 1863 compliant
- Country of Origin: Taiwan
- TAA Compliant



**NOTE: UNLESS OTHERWISE SPECIFIED**

1. MATERIAL: ABS UL 94V-0
2. FINISH: TEXTURE
3. COLOR: WH-WHITE