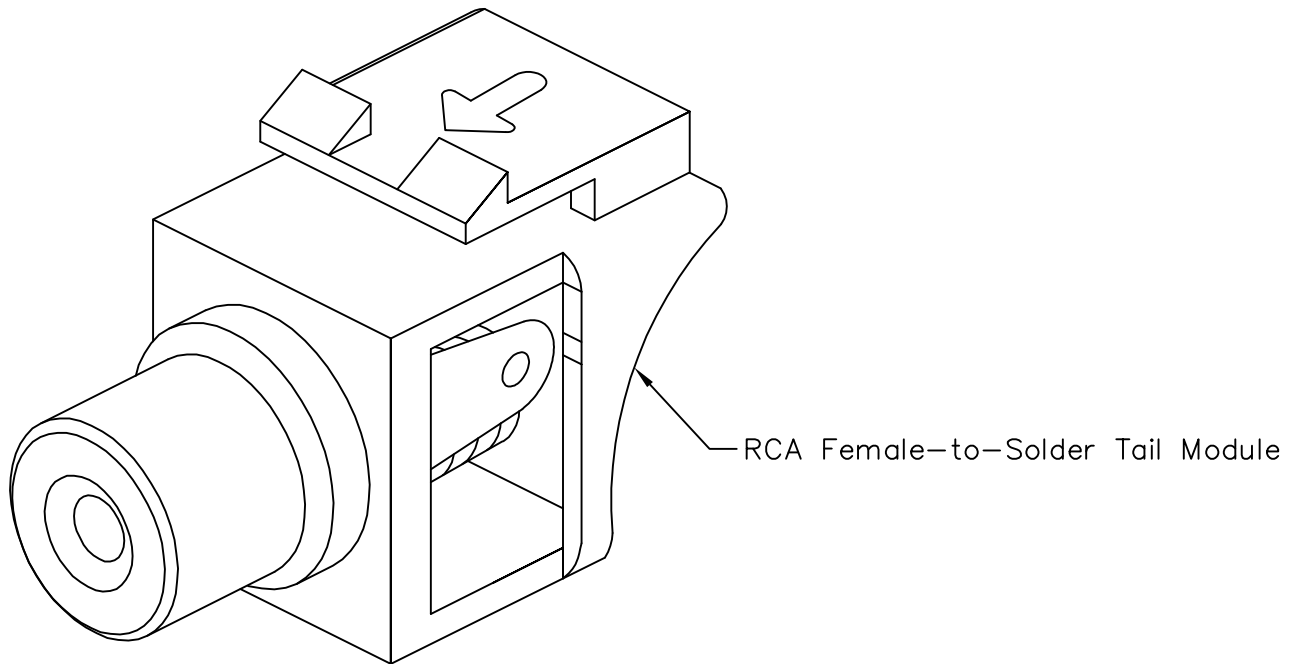


# RCA Female-to-Solder Tail Module

## PRODUCT SPECIFICATION

### Package includes:

A. RCA Female-to-Solder Tail Module, 1 pc



### Features and Benefits:

- Gold plating for improved performance with superior signal quality with minimal noise
- Used for audio and video applications
- Accepts up to 16 AWG wire
- Available with black insulator
- Provides a clean and neat appearance installation
- Compatible with all IC107 faceplates, inserts, surface mount boxes, and blank patch panels
- Compatible with all IC108 furniture faceplates, bezels, and surface mount boxes
- Available in almond, ivory, and white
- ANSI/TIA-568-C and UL 1863 compliant

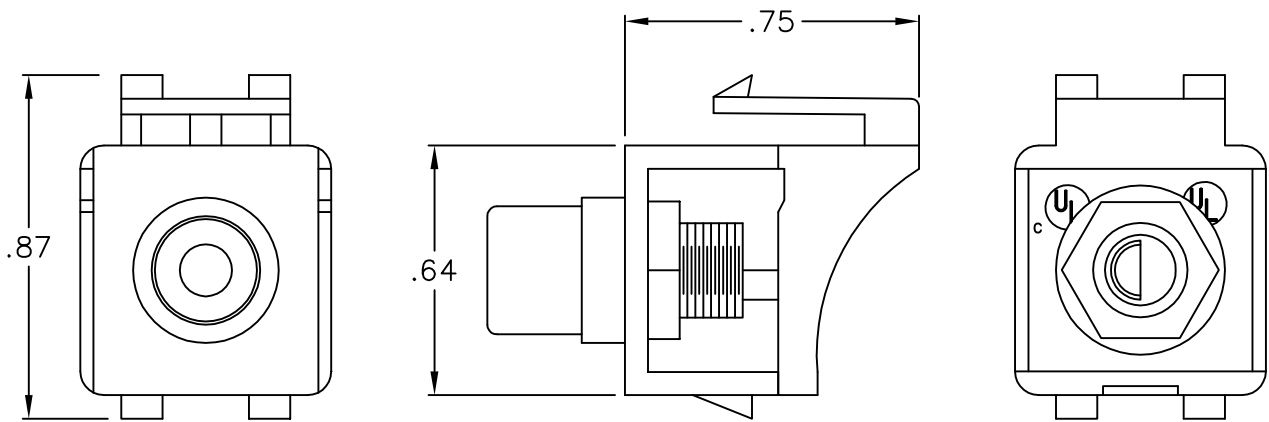
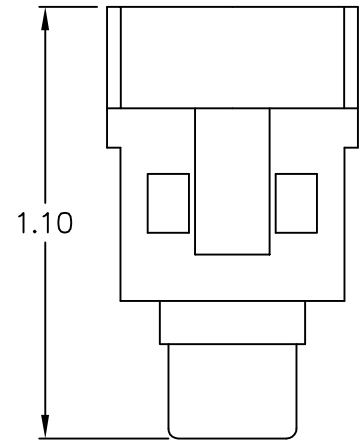
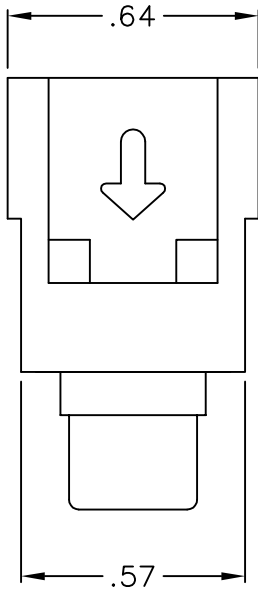
### MODULE, RCA SOLDER TAIL

ITEM NO. IC107B7GXX  
DWG NO. PS107B7G00

REV. B  
PAGE NO. 1



CUSTOMER CARE / TECHNICAL SUPPORT \* CSR@ICC.COM / 888-ASK-4-ICC (275-4422) \* 2100 E. Valencia Dr, Suite D, Fullerton, CA 92831\* www.icc.com



**NOTE: UNLESS OTHERWISE SPECIFIED**

1. HOUSING:

- A. MATERIAL: ABS, UL 94V-0
- B. COLOR: XX = AL-ALMOND, IV-IVORY, & WH-WHITE


2. RCA FEMALE-TO-SOLDER TAIL CONNECTOR:

- A. MATERIAL: BRONZE WITH 3 MICRON GOLD PLATING
- C. INSULATOR COLOR: BLACK

3. ELECTRICAL:

- A. CONTACT RESISTANCE: 30m OHM MAX
- B. INSULATION RESISTANCE: 100M OHM MIN @ DC 500V
- C. DIELECTRIC STRENGTH: AC 500V FOR ONE MINUTE

UL US FILE NO. 125268

<b>MODULE, RCA SOLDER TAIL</b>			
ITEM NO.	IC107B7GXX		REV. B
DWG NO.	PS107B7G00		PAGE NO. 2

CUSTOMER CARE / TECHNICAL SUPPORT \* CSR@ICC.COM / 888-ASK-4-ICC (275-4422) \* 2100 E. Valencia Dr, Suite D, Fullerton, CA 92831\* www.icc.com