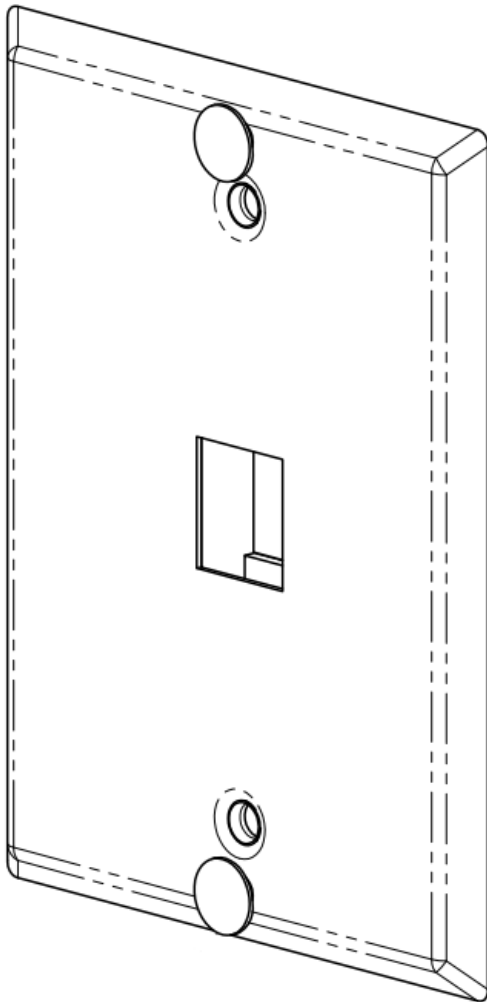


1 Port Stainless Steel Flush Telephone Wall Plate

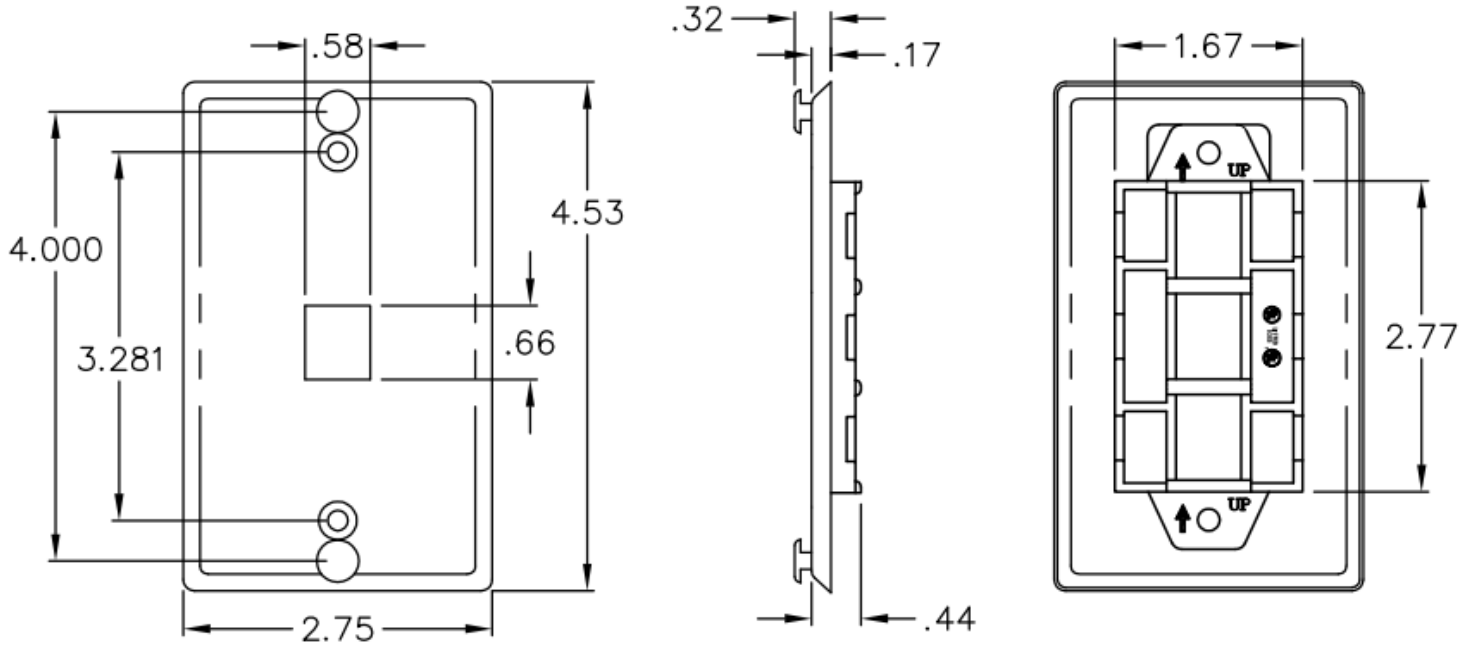


Package Includes:

- A.** 1 Port Stainless Steel Flush Telephone Wall Plate, 1 PC
- B.** Retaining Bracket, 1 PC
- C.** Brass Eyelet, 2 PCS
- D.** Mounting Standoff, 12 PCS
- E.** #6-32 x 3/4" Oval Head, Countersink Machine Screw, 2 PCS

Features and Benefits

- Configured to fit standard single gang outlet box
- Designed for commercial or residential applications
- Rugged and durable construction
- Provided with two mounting standoffs for wall mount telephone
- Offers a flush face surface
- Accommodates a wide variety of easy to snap-in modules, providing configuration flexibility
- Accepts all IC107 modules
- ANSI/TIA-568-C and UL 1863 compliant
- Country Of Origin: Taiwan
- TAA Compliant



NOTE: UNLESS OTHERWISE SPECIFIED

- 1. MATERIAL:
 - A. FACEPLATE: 22 GA STAINLESS STEEL
 - B. RETAINING BRACKET: ABS, UL 94V-0