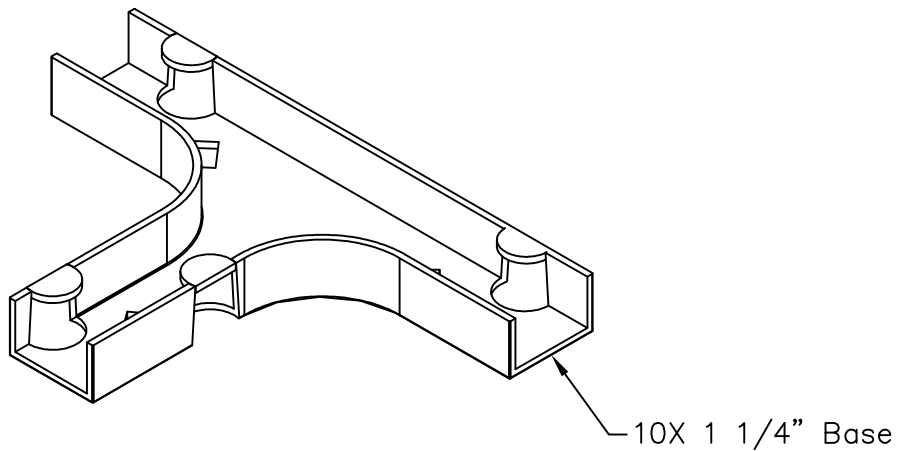
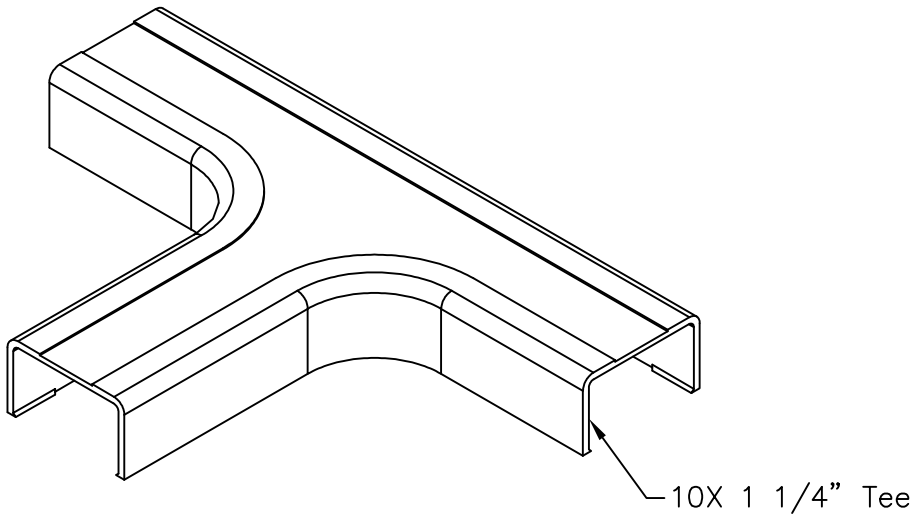


1 1/4" Tee & Base

PRODUCT SPECIFICATION

Package includes:

- A. 1 1/4" Tee, 10 pcs
- B. 1 1/4" Base, 10 pcs



Features and Benefits:

- Designed to attach three raceway sections while maintaining bend radius
- Accommodates ICRW33R and ICRWR12 1 1/4"W x 3/4"H raceway sections
- Available in ivory

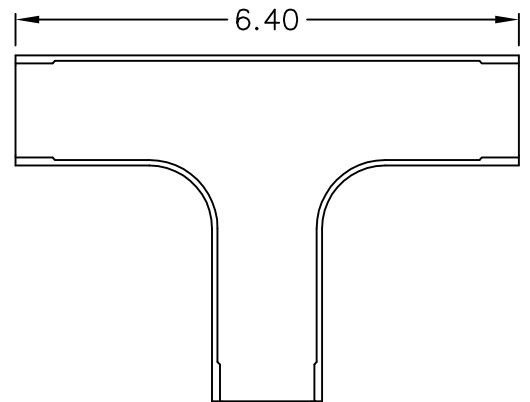
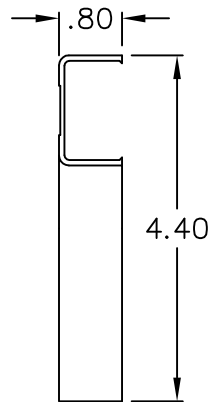
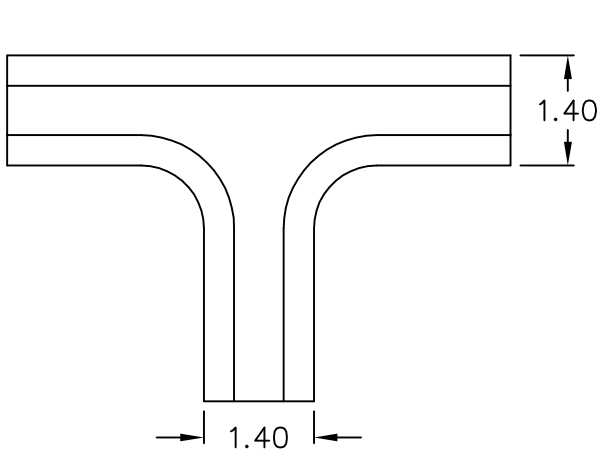
TEE & BASE, 1 1/4", 10 PK

ITEM NO.	ICRW12TBXX
DWG NO.	PSRW12TB00

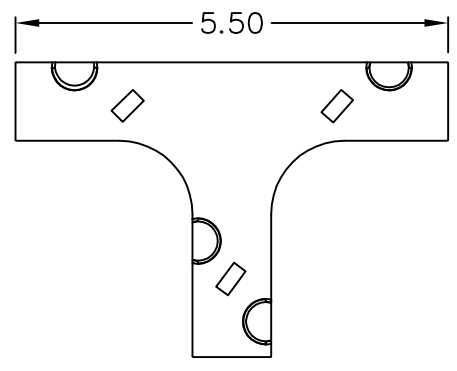
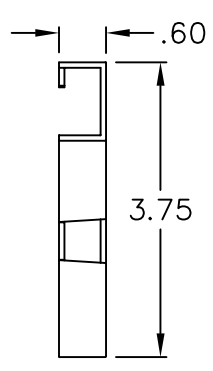
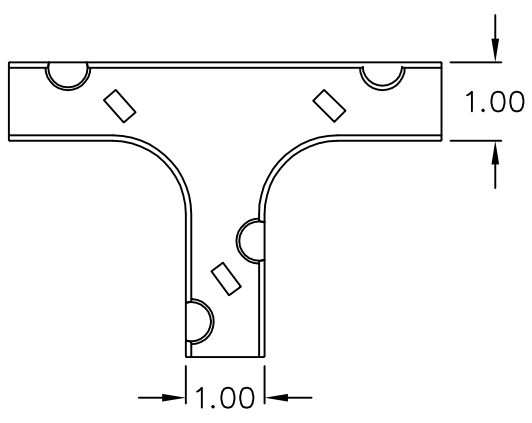
REV.	A
PAGE NO.	1



CUSTOMER CARE / TECHNICAL SUPPORT * CSR@ICC.COM / 888-ASK-4-ICC (275-4422) * 2100 E. Valencia Dr, Suite D, Fullerton, CA 92831 * www.icc.com




3/4" TEE



3/4" TEE

NOTE: UNLESS OTHERWISE SPECIFIED

1. MATERIAL:
 - A. TEE: HIGH IMPACT STYRENE
 - B. BASE: HIGH IMPACT STYRENE
2. COLOR: XX: IV-IVORY

TEE & BASE, 1 1/4", 10 PK		 <i>PremiumProducts</i> <i>ProvenPerformance</i> <i>CompetitivePrices</i>	
ITEM NO.	ICRW12TBXX		REV. A
DWG NO.	PSRW12TB00	PAGE NO.	2

CUSTOMER CARE / TECHNICAL SUPPORT * CSR@ICC.COM / 888-ASK-4-ICC (275-4422) * 2100 E. Valencia Dr, Suite D, Fullerton, CA 92831 * www.icc.com