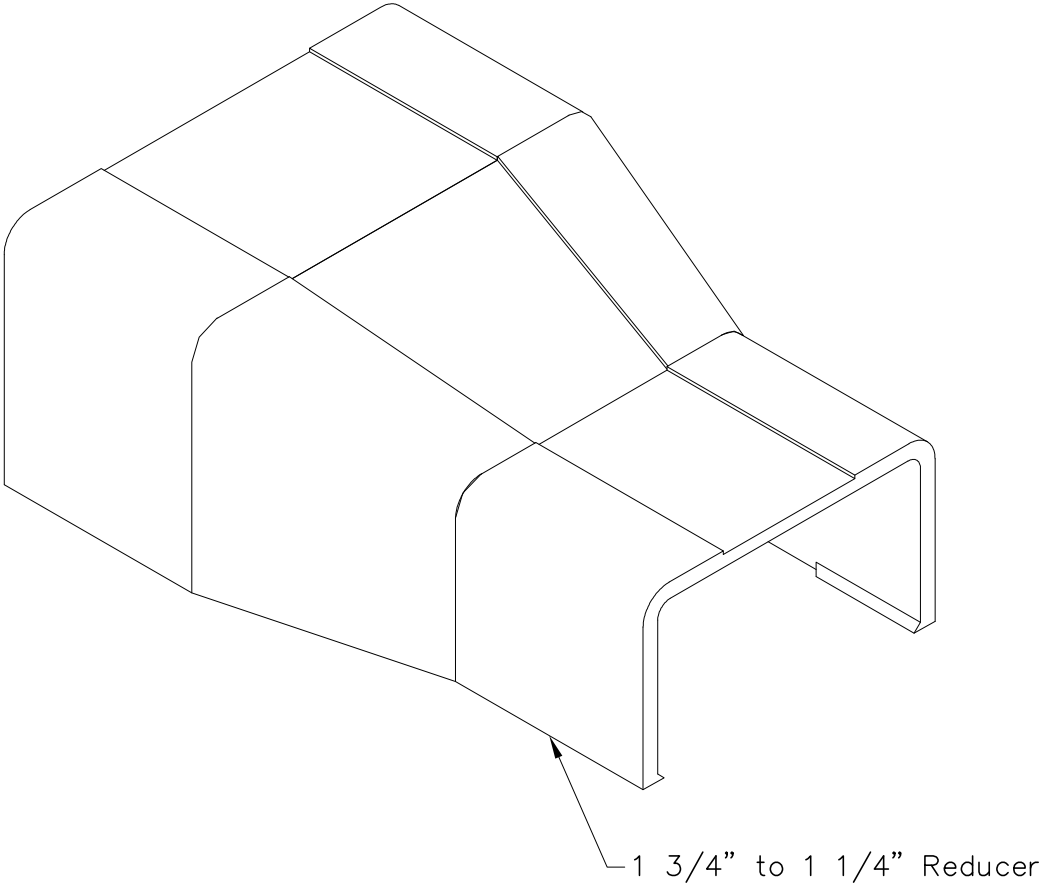


1 3/4" to 1 1/4" Reducer

PRODUCT SPECIFICATION


Package includes:

A. 1 3/4" to 1 1/4" Reducerr, 1 pc

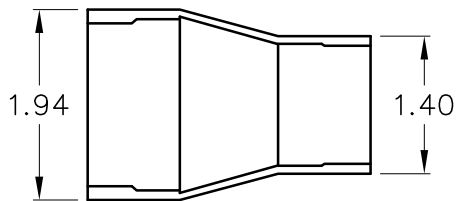
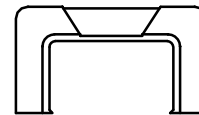
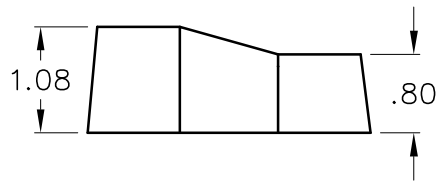
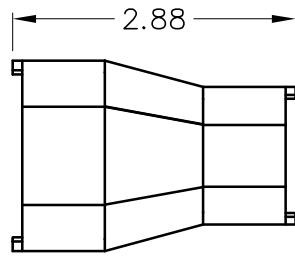


Features and Benefits:

- Designed to connect smaller raceway sections to larger raceway sections or vice versa.
- Accommodates ICRW12SR 1 1/4"W x 3/4"H raceway sections and ICRWSR 1 3/4"W x 1"H raceway sections.
- Available in ivory and white.

REDUCER, 1 3/4' TO 1 1/4"		 <i>PremiumProducts</i> <i>ProvenPerformance</i> <i>CompetitivePrices</i>	
ITEM NO.	ICRW44REXX		REV. A
DWG NO.	PSRW44RE00		PAGE NO. 1

CUSTOMER CARE / TECHNICAL SUPPORT * CSR@ICC.COM / 888-ASK-4-ICC (275-4422) * 14700 Alondra Blvd., La Mirada, CA 90638 * www.icc.com



NOTE: UNLESS OTHERWISE SPECIFIED

1. MATERIAL: HIGH IMPACT STYRENE
2. COLOR: XX: IV-IVORY & WH-WHITE

REDUCER, 1 3/4" TO 1 1/4"

ITEM NO. ICRW44REXX
 DWG NO. PSRW44RE00

REV. A
 PAGE NO. 2



CUSTOMER CARE / TECHNICAL SUPPORT * CSR@ICC.COM / 888-ASK-4-ICC (275-4422) * 14700 Alondra Blvd., La Mirada, CA 90638 * www.icc.com