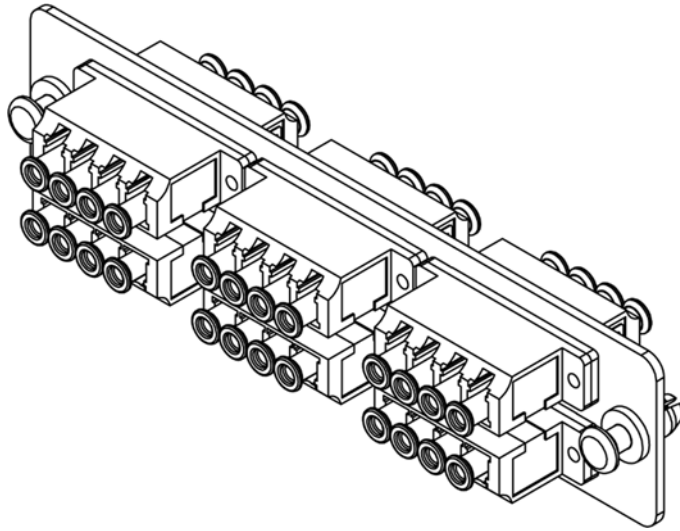


LGX Adapter Panel, 6 Quad LC, 24F Blue, SM

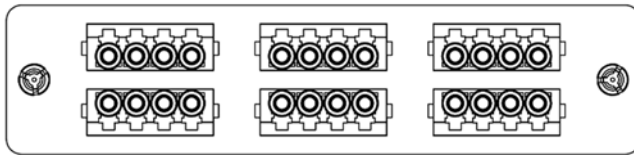
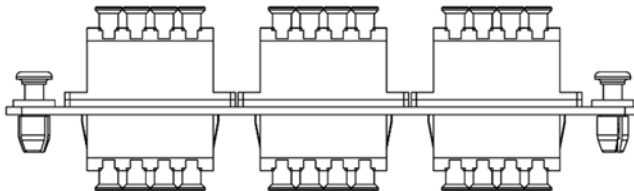
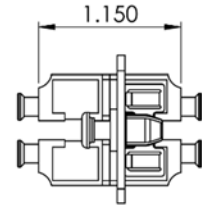
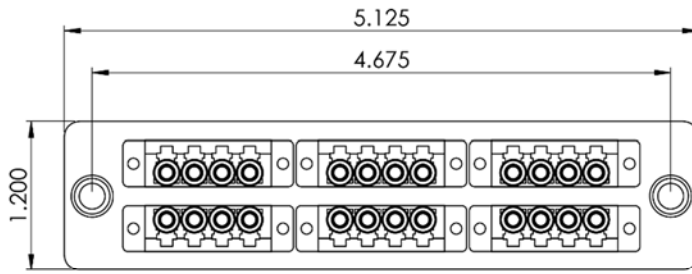
Package Includes

- A. Adapter Panel, **1 Piece.**
- B. Quad LC Adapter, **6 Pieces.**
- C. Dust Caps, **48 Pieces.**



Features and Benefits

- Adapter plate uses LC type small-form-factor (SFF) for high density applications, 1.25mm
- 6 quad LC adapter for a maximum of up to 24-Fiber, OS2, Singlemode, 9/125
- Compliant with ANSI/TIA-568-C.3 for optical fiber cabling components standard
- Provides a safe and secure means for connecting the fiber optic cables between external distribution and the active components
- Provides an easy-to-use method of connecting and routing fiber optic circuits with neat and clean appearance
- Push pins provide a secure, snug fit and tool-less installation
- Design to fit ICFORPP1RM blank fiber optic patch panels, ICFOR fiber optic rack mount enclosures, and ICFOD fiber optic wall mount enclosures
- LGX Compatible



Specifications

- Patch Panel
 - Material: 16 GA CRS
 - Finishing: Texture Black Powder Coat
- LC Quad Adapter
 - Material: ABS
 - Color: Blue
 - Sleeve: Ceramic