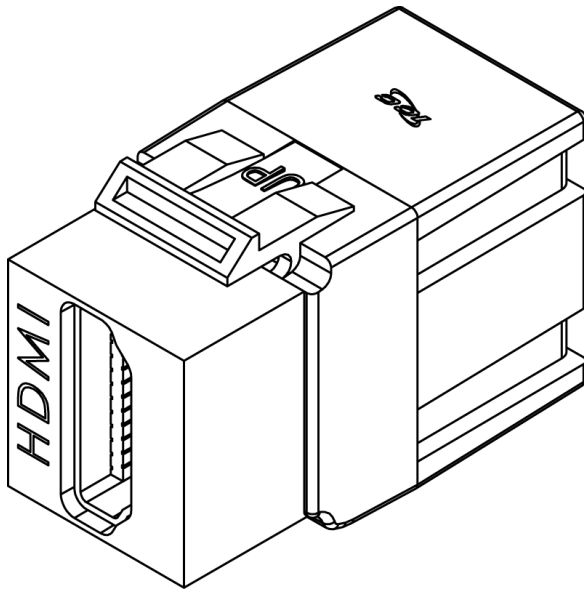


# MODULE, HDMI, FEMALE TO FEMALE, 25 PK

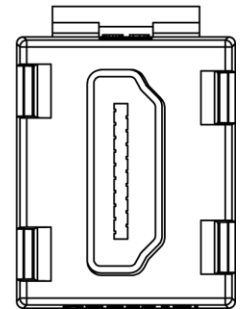
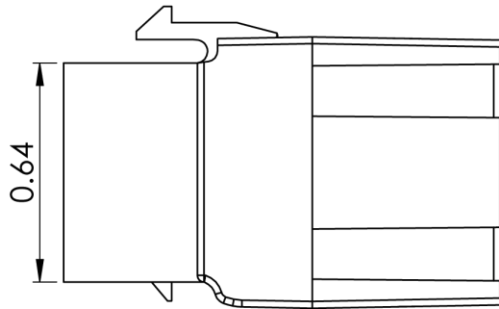
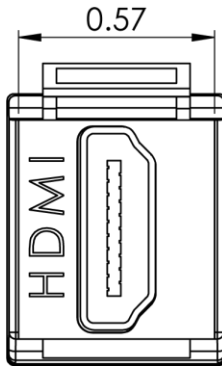
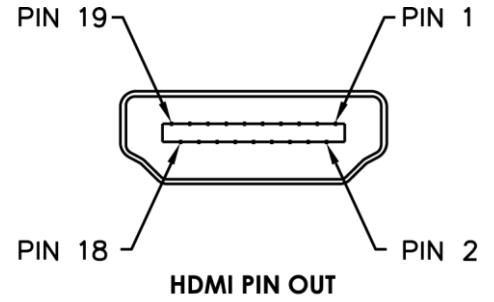
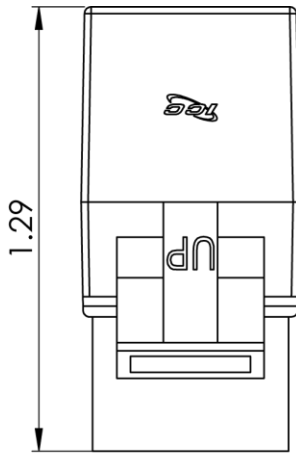


## Package Includes

A. HDMI Coupler Module, **25 Pieces.**

## Features and Benefits

- 99.99% Oxygen Free Copper conductors with gold plating.
- Copper Foil shielding for rejection of EMI and RFI.
- Designed to distribute high-quality video, audio and other communication needs with contemporary styling for commercial or residential applications.
- HDMI (High Definition Multimedia Interface) connectors are ideal for high-definition video and audio devices.
- Rugged and durable construction.
- Compatible with all ICC classic and decorex style faceplates and inserts.
- HDMI certified and supporting standard, enhanced and high-definition video (up to 1080p) along with 8 channels of digital audio on a single cable.
- Supports v1.2, v1.3, v1.4a, 720p, 1080i, 1080p, 3D, and HDCP; typical maximum distance for HDMI cable is 33ft. (10 meters)
- Support 4K ultra HD video



### **Specifications**

- Material:
  - Housing: ABS
  - IDC: Brass with 100 Micro-inch of Tin
  - Terminals: Gold over Nickel Plated Copper Alloy
- HDMI Connector:
  - Storage: -40° to +70°C
  - Operation: -10° to +60°C
  - Noncondensing: 93%
  - 19-Pin Adapter Contact
- Color: White