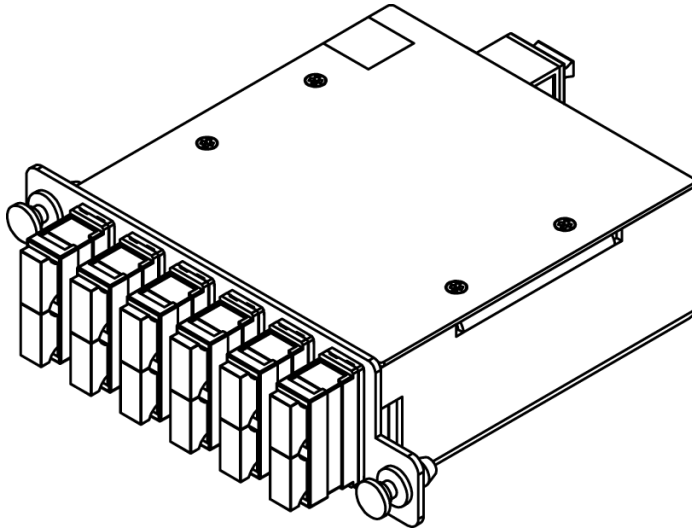


# HD Cassette SC/MPO, 12F, OS1, 9/125

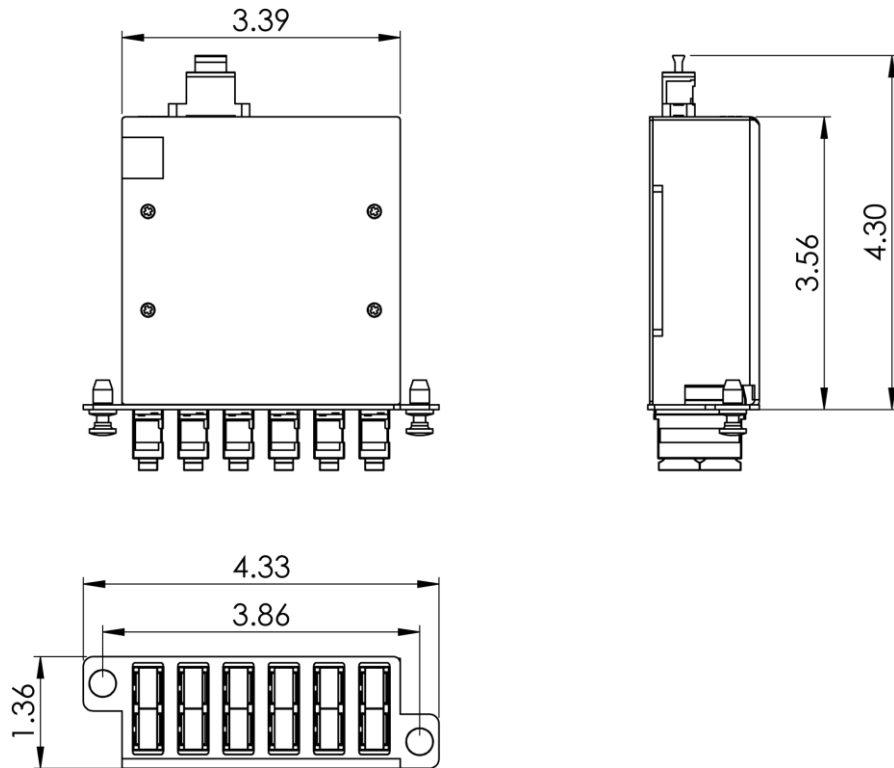
## Package Includes

- A. SC MPO Cassette, **1 Piece.**
- B. Dust Caps, **13 Pieces.**



## Features and Benefits

- High Quality 16GA CRS material allows for compact and durable cassettes.
- 12-Fiber, OS1, Singlemode, 9/125
- 12 SC port to 1 MPO port
- Cassette offers a plug and play solution which saves assembly and termination time.
- MPO connector reduces insertion loss which enhances channel link performance.
- MPO ports are equipped with Male MPO connectors to work with standard MPO female cable assembly.
- Suitable for any applications with a need for higher bandwidth with longer distances.
- Wiring is 1:1
- Available in black
- Design to fit ICFORE41RM and ICFORE82RM HD fiber optic rack mount enclosures



**Specifications**

- **Cassette Housing:**
  - Material: 16GA CRS
  - Color: Powder Coat Black
- **SC-Quad Adapter:**
  - Material: ABS
  - Color: Blue
  - Sleeve: Ceramic
- **MPO Male Adapter:**
  - Material Polybutylene Terephthalate (PBT)
  - Color: Black
  - Mating Cycles: 1000 Mating cycles
  - Dust Cap: TPP
  - Color: Black
- **Cable Type:**
  - OS1, SM, 9/125µm

12	AQUA	12
11	ROSE	11
10	VIOLET	10
9	YELLOW	9
8	BLACK	8
7	RED	7
6	WHITE	6
5	SLATE	5
4	BROWN	4
3	GREEN	3
2	ORANGE	2
1	BLUE	1
SC	FIBER COLOR	MPO
WIRE CONNECTION TABLE		