



14" Plastic Net Media Center

INSTALLATION INSTRUCTIONS

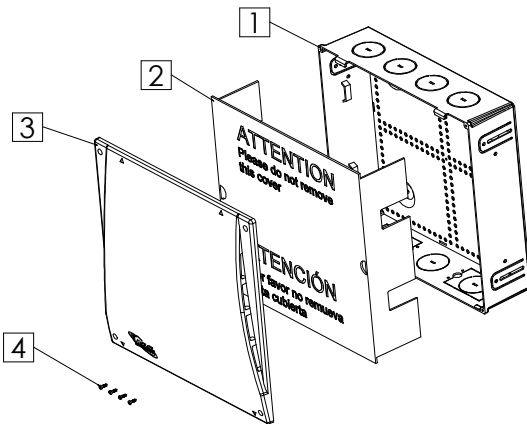
ICRESDP14E & ICRESDP14K

ICC's 14" Plastic Net.Media Center is designed to be installed in a residence; such as small homes, multi-unit dwellings and retrofitting existing homes and serve as the central distribution point for voice, data, audio and video connectivity. Its compact size makes it perfect for smaller types of structured cabling installations allowing it to fit in tight and confined areas. The base is designed to fit between 16" wall studs and offers a variety of mounting options. It can be installed inside the wall for a professional clean appearance, or wall mounted if the walls have already been installed and painted. ICC's 14" Plastic Net.Media Center can be configured with any ICC Net.Media Center connectivity module.



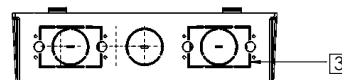
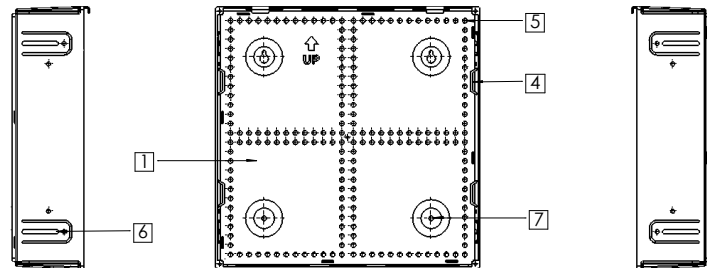
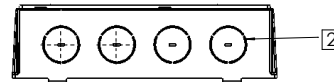
Package Content

1. Enclosure 1ea. (14.25" x 14.25" x 3.89")
2. Protective Cardboard Cover 1ea. (13.2" x 10.1" x 3.5")
3. Cover 1ea. (15.00" x 15.00" x 1.00")
4. #6-32 x 3/8" Machine Screw 4 pieces
5. Connectivity Modules Included:
 1. ICRESDP14E: None
 2. ICRESDP14K:
 - A. 6 Port 2GHz Video Splitter 1x6, 1 Piece (ICRESAV621)
 - B. 8 Port Telephone Module W/RJ31x, 1 Piece (ICRESVPA3C)
 - C. 8 Port CAT 6 Module, 1 Piece (ICRESDPB3C)



Features

- 1) Light-weight ABS plastic construction
- 2) 4 top & 3 bottom knockouts
- 3) 2 bottom electrical knockouts
- 4) 4 Cable management tabs
- 5) Module mounting hole pattern
- 6) Extendable mounting tabs
- 7) 4 surface screw mount holes



E-mail us: cs@icc.com | Go online: www.icc.com

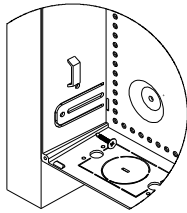


14" Plastic Net Media Center

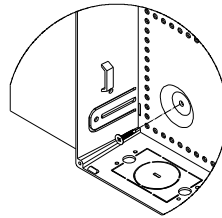
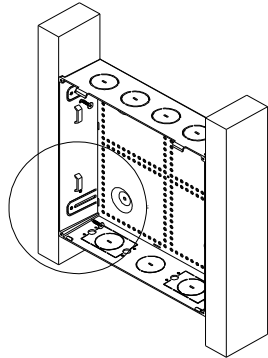
INSTALLATION INSTRUCTIONS

Step 1: Enclosure Mounting

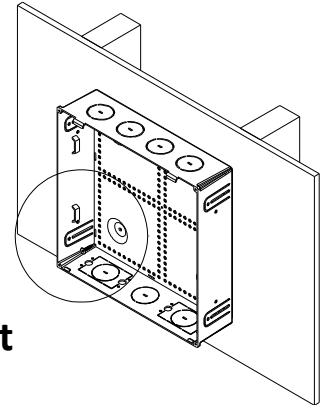
Adjust the enclosure according to the thickness of the drywall/sheetrock. Use the drywall marking on the side of the enclosure for guidance.



Stud Mount

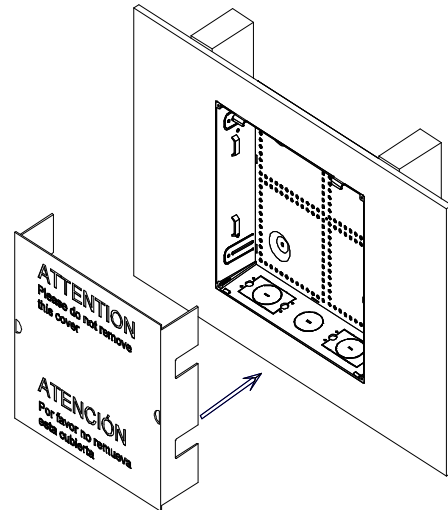


Surface Mount



Step 2: Protective Cover Installation

Place the protective cover back into the enclosure. The protective cover helps maintain the enclosure clean and free from debris during the rest of the installation.



Step 3: Modules Installation

1. Mount modules vertically or horizontally.
2. Secure the top portion of the cover by sliding the cover's hooking mechanism onto the enclosure.
3. Then Install #6-32 screws to secure the door with the enclosure.

