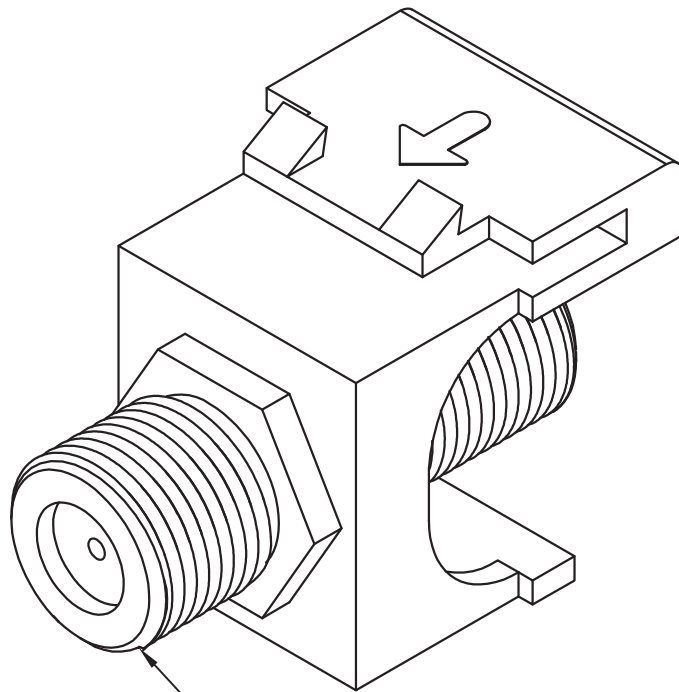


3 GHz Nickel Plated F-Type Female-to-Female Module

PRODUCT SPECIFICATION

Package includes:

A. 3 GHz Nickel Plated F-Type Module, 1 pc



— 3 GHz Nickel Plated F-Type Module

Features and Benefits:

- Designed with 3 GHz bandwidth for audio and video applications
- Rear threaded F-Type connectors for secure in-wall connections with both RG6 and RG59 coaxial cables
- Provides a clean and neat appearance installation
- Compatible with all IC107 faceplates, inserts, surface mount boxes, and blank patch panels
- Compatible with all IC108 furniture faceplates, bezels, and surface mount boxes
- Available in almond, black, ivory, and white
- ANSI/TIA-568-C and UL 1863 compliant

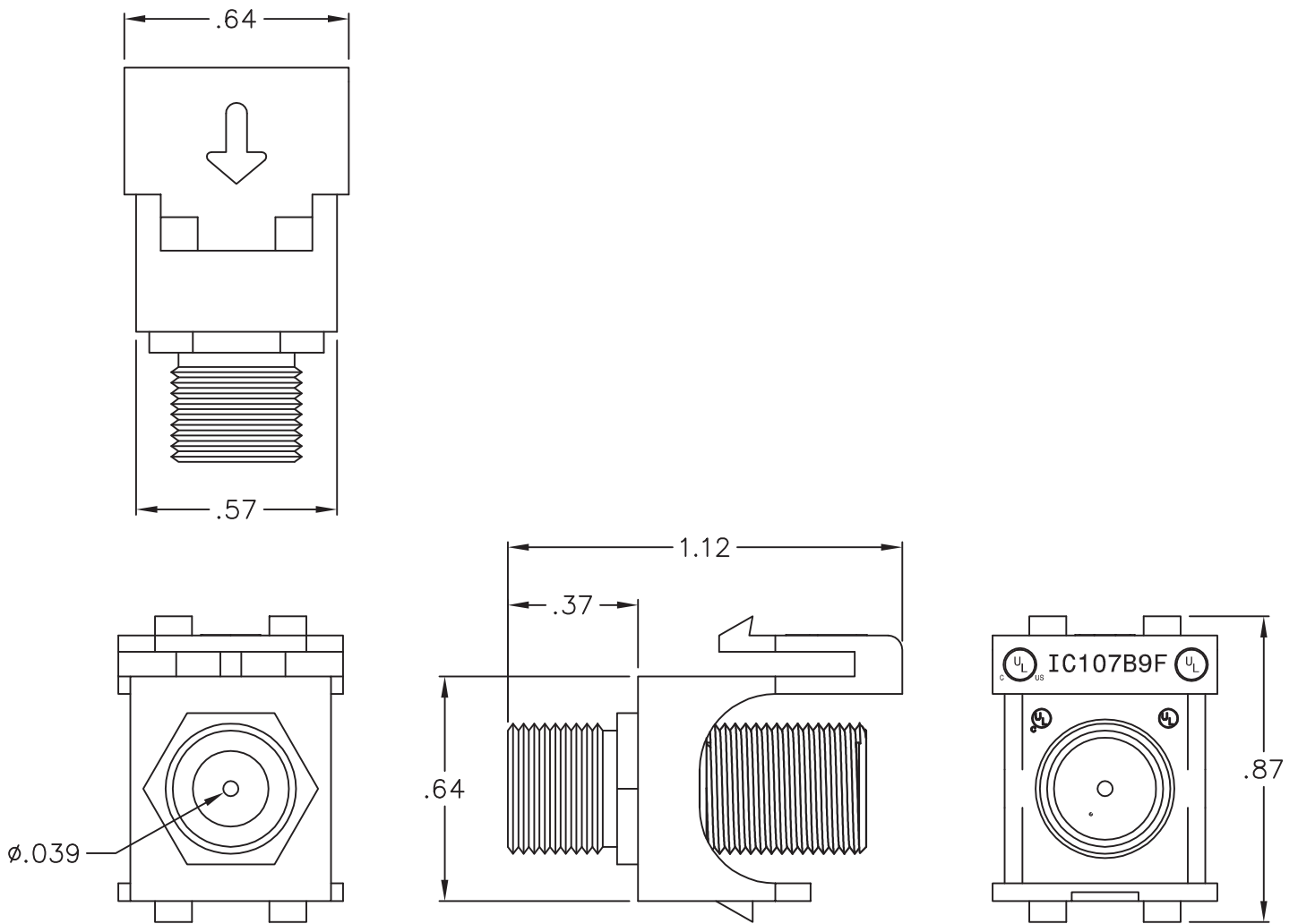
MODULE, F-TYPE, NICKEL PLATED, 3 GHZ

ITEM NO.	IC107B9FXX
DWG NO.	PS107B9F00

REV.	CT
PAGE NO.	1



CUSTOMER CARE / TECHNICAL SUPPORT * CSR@ICC.COM / 888-ASK-4-ICC (275-4422) * 2100 E. Valencia Dr, Suite D, Fullerton, CA 92831 * www.icc.com



NOTE: UNLESS OTHERWISE SPECIFIED

1. HOUSING:

- A. MATERIAL: ABS, UL 94V-0
- B. COLOR: XX: AL-ALMOND, BK-BLACK, IV-IVORY, & WH-WHITE

2. NICKEL PLATED F-TYPE CONNECTOR:

- A. MATERIAL: BRONZE WITH NICKEL PLATING
- B. HOLDING FORCE > 80 GRAMS
- C. F-TYPE CONNECTOR THREADS: 3/8-32 UNEF-2A

3. ELECTRICAL:

- A. RETURN LOSS OF -20 dB MAX
- B. FREQUENCY RANGE 1.4 ~ 3.0 GHZ
- C. CONTACT RESISTANCE < 10 MOHM
- D. CHARACTER IMPEDANCE RATED 75 OHM
- E. INSULATION RESISTANCE > 10 MOHM

UL US FILE NO. 125268

MODULE, F-TYPE, NICKEL PLATED, 3 GHZ			
ITEM NO.	IC107B9FXX		REV. CT
DWG NO.	PS107B9F00		PAGE NO. 2

CUSTOMER CARE / TECHNICAL SUPPORT * CSR@ICC.COM / 888-ASK-4-ICC (275-4422) * 2100 E. Valencia Dr, Suite D, Fullerton, CA 92831 * www.icc.com