

Vertical Metal Channel for 7' Rack, Side or Center Mount, 6"W x 6"D x 40"L, 2PK



Package Includes:

- A. 40" Metal Vertical Channel Base, **2 Pieces**
- B. 40" Plastic Vertical Channel Cover, **2 Pieces**
- C. #12-24 x 5/8" Pan Head, Pilot Point Machine Screw, **16 Pieces**
- D. Installation Instructions, **1 Sheet**

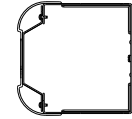
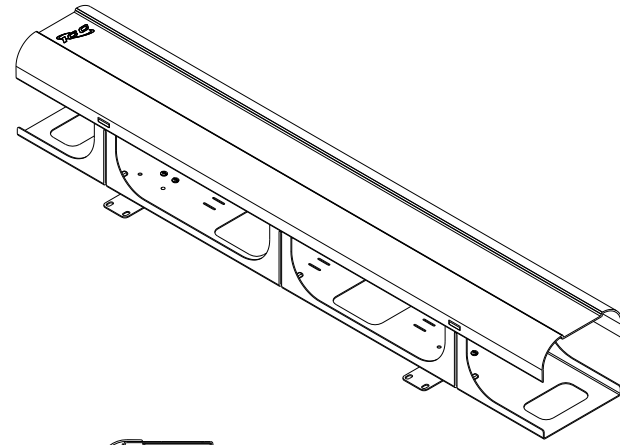
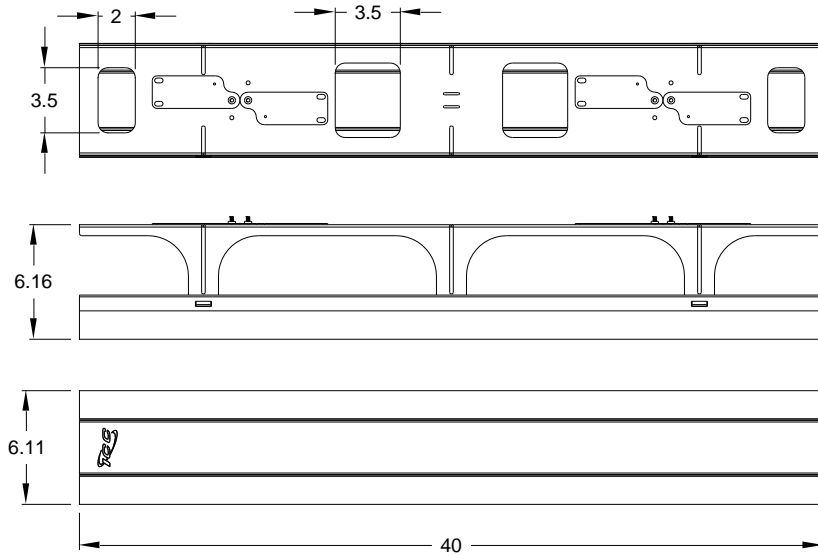
Features and Benefits

- Fits on the sides of individual racks but can also be used to join two distribution racks
- Equipped with feed-through holes on the back side for easier cable routing from front to back
- Mounting bracket is pre-installed to channel for easy installation of vertical channel
- Mount on the side or in between distribution racks
- Compatible with most TIA specification distribution racks
- Includes a cover to conceal routed cables providing a neat and clean appearance
- One part number two sets includes instructions and hardware in one convenient package
- Compatible with ICCMSR1948, ICCMSR1972, ICCMSR1984, ICCMSCMRH7, and ICCMSR4P84 Distribution Rack

ESTIMATED CABLE FILL CAPACITIES (60% Fill)						
Feature	Channel Depth (WxD)	Usable Area (In ²)	CAT 5e (.18" OD)	CAT 6 (.20" OD)	CAT 6A (.34"OD)	Fiber (.079" OD)
6" Channel Size	5.66" X 5.63"	28.41 In ²	267	217	75	1400
Side	11.75" X 3.2"	35.38 In ²	333	270	93	1744
Large Pass-through	4" X 3.5"	13.76 In ²	129	105	36	678
Small Pass-through	3.5" X 2"	6.67 In ²	63	51	17	333

Capacities based on ICC's cable diameter

Product Specification



Note: Unless otherwise specified

1. 40" Vertical Channel Base:
 - A. Material: 5052-H32 1/8" Aluminum
 - B. Finish: Semi-Glass Black texture Powder Coat
2. 40" Vertical Channel Cover:
 - A. Material: ABS, UL 94V-0
 - B. Color: Black
3. Latch Gate:
 - A. Material: 11 GA CRS
 - B. Surface Finish: Black Powder Coat