



8-Port CAT 5e Data Module with Universal Mount

I N S T A L L A T I O N I N S T R U C T I O N S

Category 5e Data Module

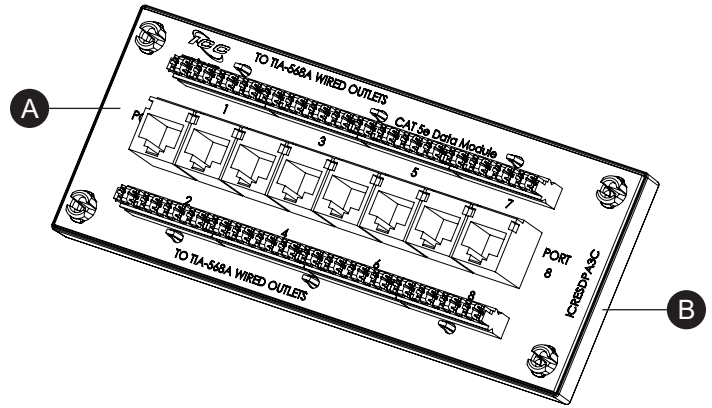
ICC's Category 5e Data Module is an 8-port network interface solution. The module is designed and engineered with 110-type IDC connectors to provide secure terminated wiring and meets or exceeds TIA performance standards. It supports up to eight data lines local area network applications such as cable or DSL services.

ICRESDPA2U - Single

- A** 8-Port CAT 5e Data Module, 1 piece
- B** Universal Mount, 1 piece

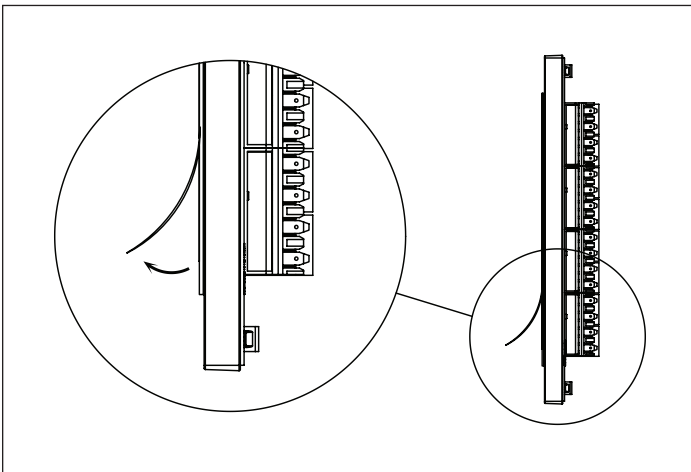
ICRESDPA2W - 10-Pack

- A** 8-Port CAT 5e Data Module, 10 pieces
- B** Universal Mount, 10 pieces



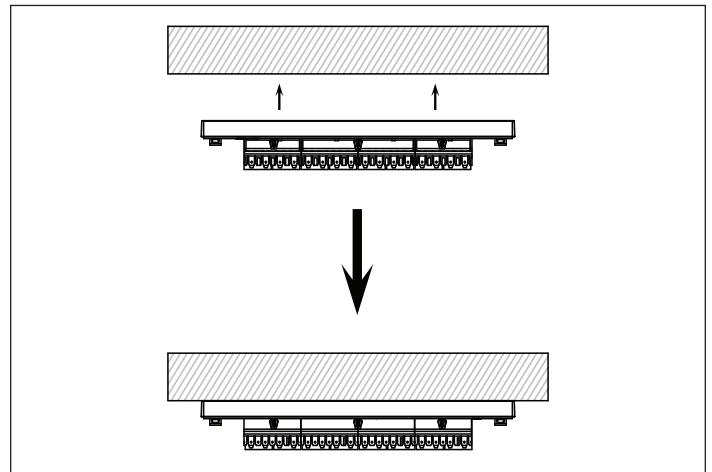
Assembly Instructions

Step 1



Peel off film backing from each of the self-adhesive.

Step 2



Find a flat, clean surface and press firmly on the module to adhere to the desired surface.

Email us: cs@icc.com • Go online: icc.com

