



8-Port CAT 6 Data Module with Universal Mount

I N S T A L L A T I O N I N S T R U C T I O N S

Category 6 Data Module

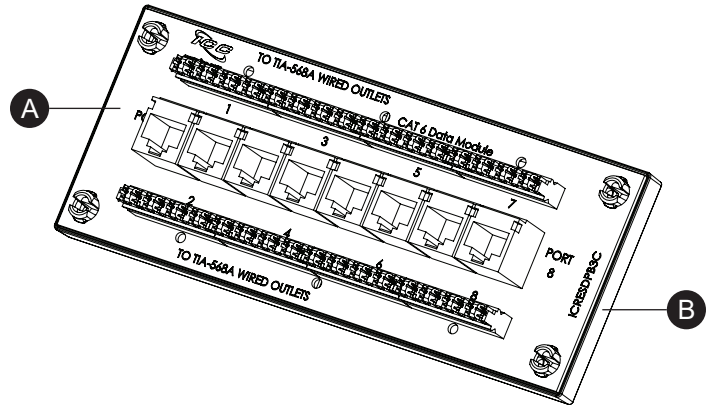
ICC's Category 6 Data Module is an 8-port network interface solution. The module is designed and engineered with 110-type IDC connectors to provide secure terminated wiring and meets or exceeds TIA performance standards. It supports up to eight data lines local area network applications such as cable or DSL services.

ICRESDPB2U - Single

- A** 8-Port CAT 6 Data Module, 1 piece
- B** Universal Mount, 1 piece

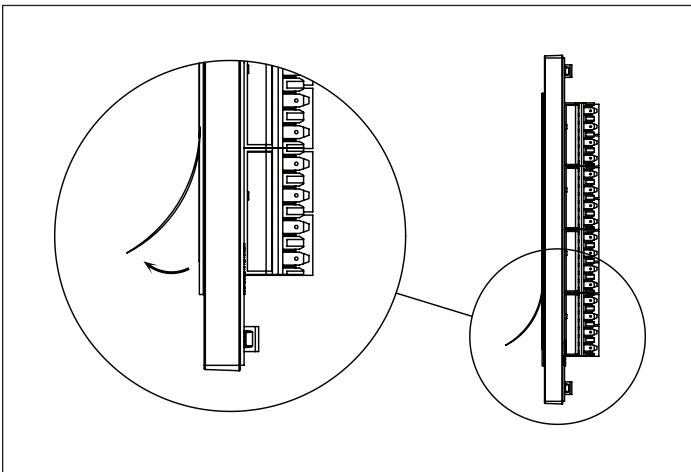
ICRESDPB2W - 10-Pack

- A** 8-Port CAT 6 Data Module, 10 pieces
- B** Universal Mount, 10 pieces



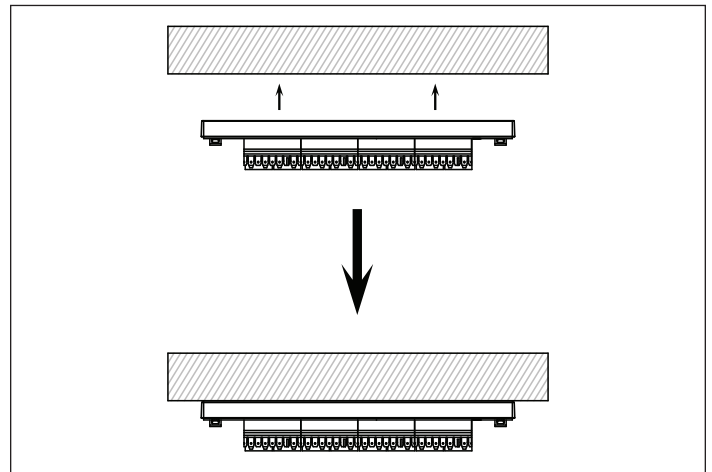
Assembly Instructions

Step 1



Peel off film backing from each of the self-adhesive.

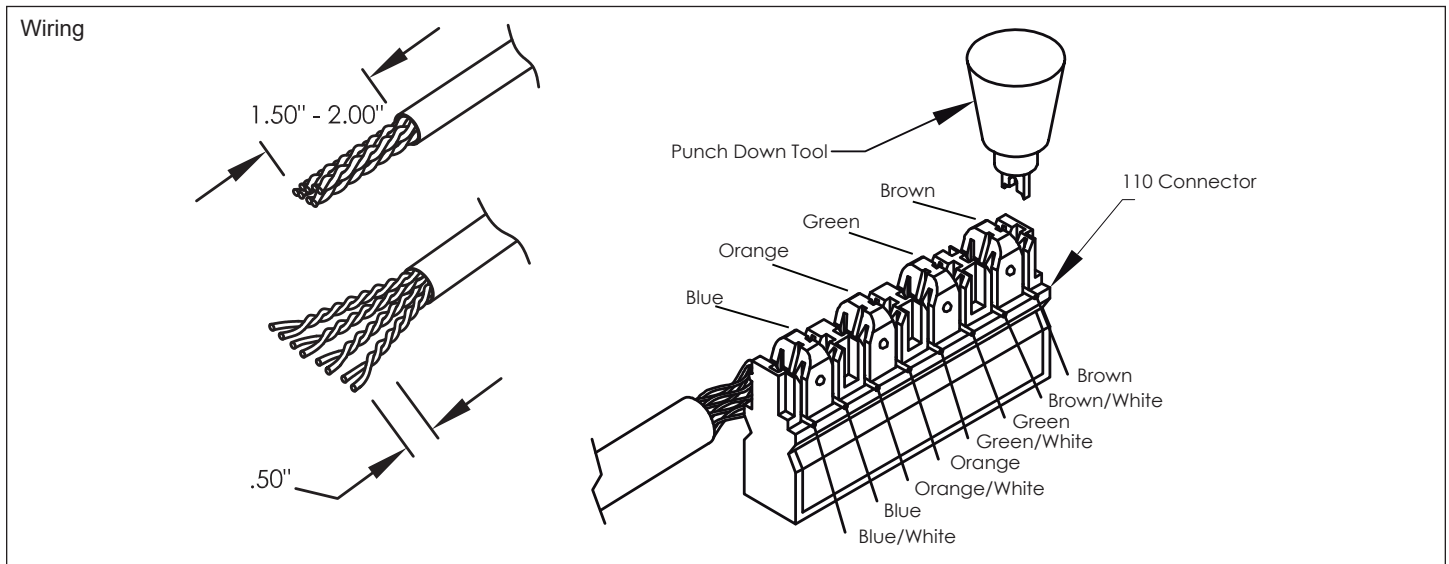
Step 2



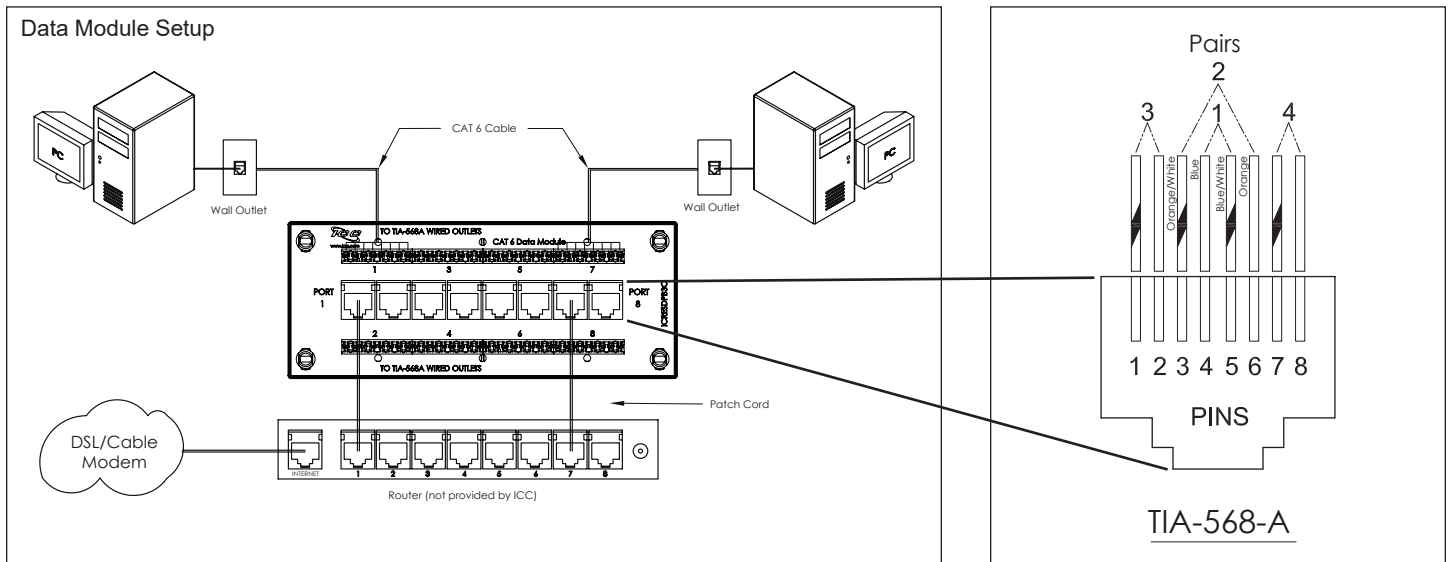
Find a flat, clean surface and press firmly on the module to adhere to the desired surface.

Email us: cs@icc.com • Go online: icc.com

Step 3



Terminate as indicated. Follow the color-code and only use 110 punch-down tool to terminate the wires. TIA-570 residential wiring standard specifies TIA-568-A color code wiring as the standard for residential installations.



This module supports data connections for 8 locations. Connect one end of a patch cord to a jack and the other end to the router after identifying the port you want to activate.

It is important to follow TIA-568-A wiring because it allows pair 1 and 2 to be used for phone applications, up to 2 lines.

Email us: cs@icc.com • Go online: icc.com