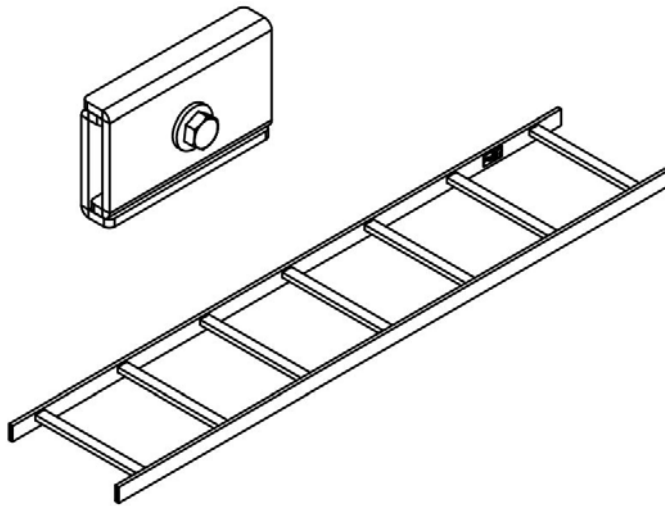


Ladder Rack 5' Cable Runway Straight Section in 2 Pack with Butt Splice Kit

Package Includes:

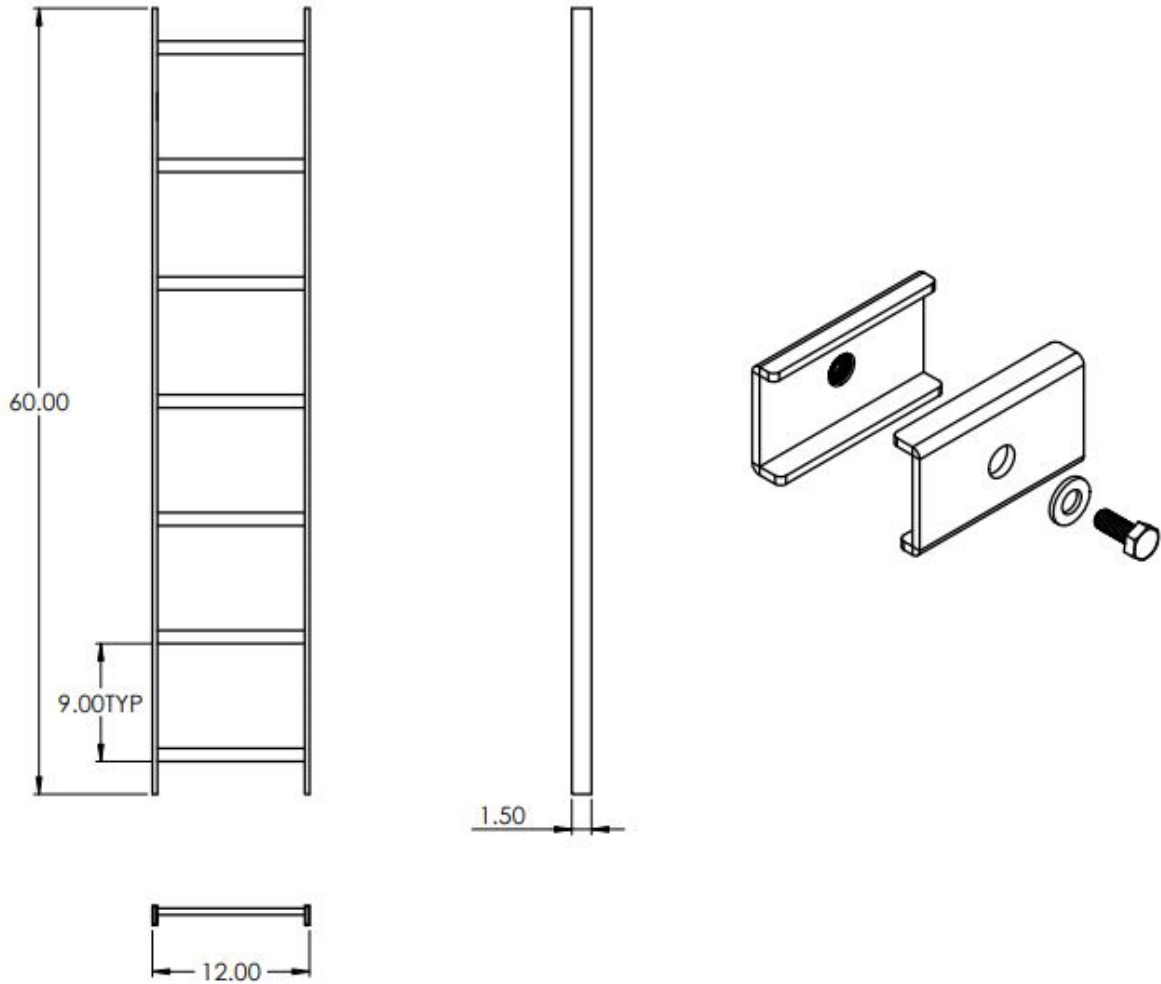
- A. 5' Ladder Rack Runway, 2 Pieces
- B. Ladder Rack Butt Splice Kit, 2 Pieces



Note: Not to scale, for reference only

Features and Benefits

- Made of durable steel
- Powder coated to prevent scratches
- Supports horizontal cable running overhead
- Provides an effective means to evenly distribute cable loads in open architectural areas
- Part of a modularized system; route cables horizontally, vertically, and around obstacles
- Includes Butt Splice kit to join two 5' Ladder Rack sections to form one 10' section
- Ladder Rack Butt splice made with 9 gauge cold rolled steel
- Works with floor mount distribution and cable management racks
- Can be easily shipped via UPS or Fed-Ex etc.
- Available in 2 Pack



Specifications

- Ladder Material: 16GA Steel Tubing
- Construction: Welded
- Ladder Butt Splice Material: 9GA CRS
- Surface Finish: Back Powder Coat